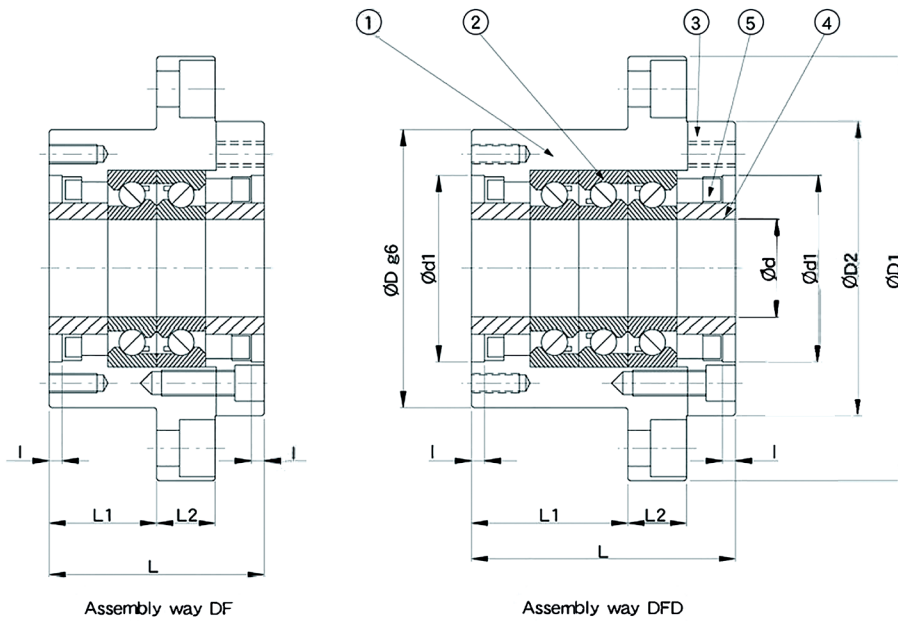


WBK Series (Fixed End) Heavy Load Type



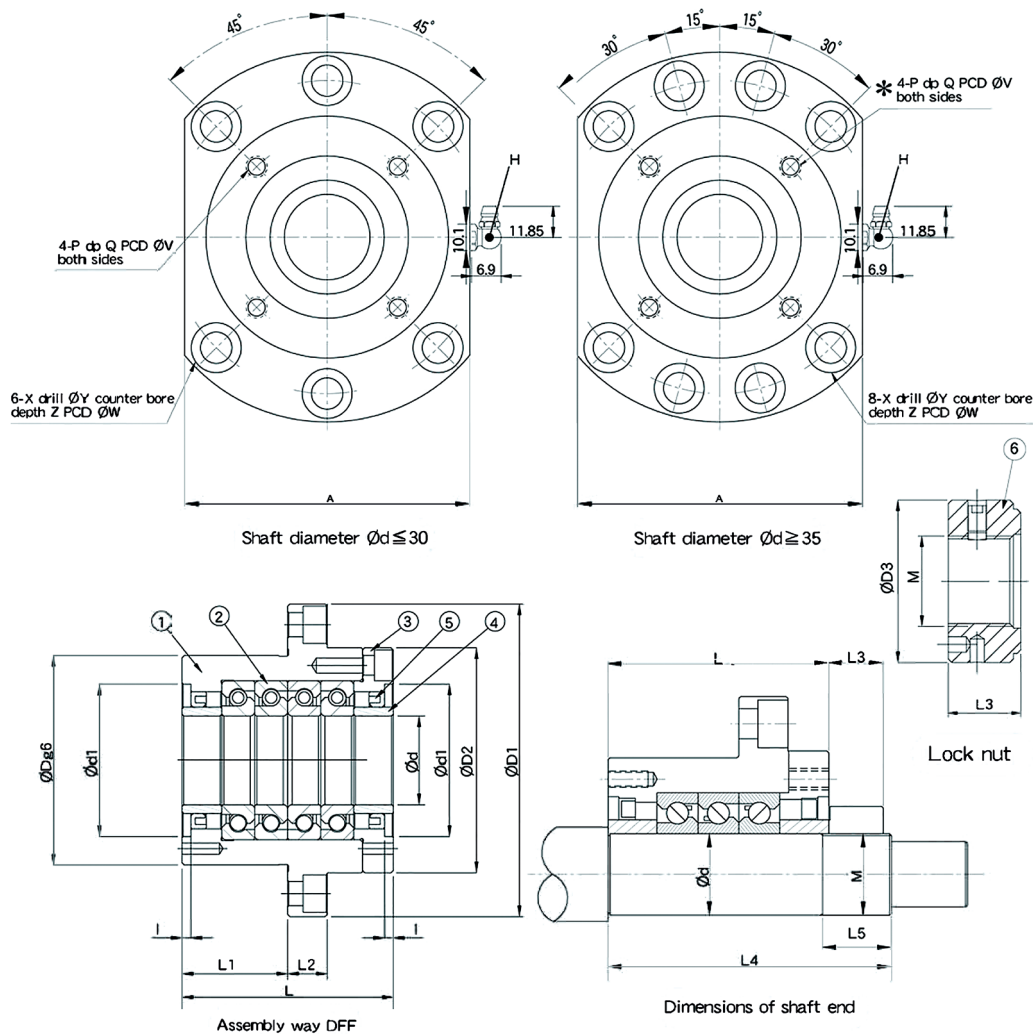
| Code | Items | pcs |
|------|----------|-------|
| 1 | Housing | 1 PCS |
| 2 | Bearing | 1 SET |
| 3 | Lid | 1 PCS |
| 4 | Collar | 2 PCS |
| 5 | Seal | 2 PCS |
| 6 | Lock Nut | 1 PCS |

| Model No. | Dimensions Of Shaft End | | | | | | | | | | | | | | | | | |
|-----------|-------------------------|----|-----|-----|----|----|----|-----|-----|----|----|-----|----|---|----|----|----|----|
| | d | D | D1 | D2 | L | L1 | L2 | A | W | X | Y | Z | d1 | l | V | P | Q | H |
| WBK 17DF | 17 | 70 | 106 | 72 | 60 | 32 | 15 | 80 | 88 | 9 | 14 | 8.5 | 45 | 3 | 58 | M5 | 10 | M6 |
| WBK 200F | 20 | 70 | 106 | 72 | 60 | 32 | 15 | 80 | 88 | 9 | 14 | 8.5 | 45 | 3 | 58 | M5 | 10 | M6 |
| WBK 25DF | 25 | 85 | 130 | 90 | 66 | 33 | 18 | 100 | 110 | 11 | 17 | 11 | 57 | 4 | 70 | M6 | 12 | M6 |
| WBK 25DFD | | | | | 81 | 48 | | | | | | | | | | | | |
| WBK 25DFF | | | | | 96 | 48 | | | | | | | | | | | | |
| WBK 300F | 30 | 85 | 130 | 90 | 66 | 33 | 18 | 100 | 110 | 11 | 17 | 11 | 57 | 4 | 70 | M6 | 12 | M6 |
| WBK 300FD | | | | | 81 | 48 | | | | | | | | | | | | |
| WBK 30DFF | | | | | 96 | 48 | | | | | | | | | | | | |
| WBK 35DF | 35 | 95 | 142 | 102 | 66 | 33 | 18 | 106 | 121 | 11 | 17 | 11 | 69 | 4 | 80 | M6 | 12 | M6 |
| WBK 35DFD | | | | | 81 | 48 | | | | | | | | | | | | |
| WBK 35DFF | | | | | 96 | 48 | | | | | | | | | | | | |
| WBK 400F | 40 | 95 | 142 | 102 | 66 | 33 | 18 | 106 | 121 | 11 | 17 | 11 | 69 | 4 | 80 | M6 | 12 | M6 |
| WBK 400FD | | | | | 81 | 48 | | | | | | | | | | | | |
| WBK 400FF | | | | | 96 | 48 | | | | | | | | | | | | |

Note:

1. Inside bearings use Japanese & Taiwanese P4 grade TAC 60 degree contact ball bearing.
2. The standard type is without H, if required, please advise in advance.

WBK Series (Fixed End) Heavy Load Type



| Model No. | Basic Dynamic Load Rating Ca (kgf) | Permissible axial load (kgf) | Preload (kgf) | Axial Rigidity (kgf/um) | Max Starting torque | Lock Nut | | | Weight (kgs) | Dimensions Of Shaft End | | |
|-----------|------------------------------------|------------------------------|---------------|-------------------------|---------------------|----------|----|----|--------------|-------------------------|-----|----|
| | | | | | | M | D3 | L3 | | d | L4 | L5 |
| WBK 17DF | 2240 | 2710 | 220 | 75 | 1.9 | M17XL | 37 | 18 | 1.24 | 17 | 81 | 23 |
| WBK 20DF | 2240 | 2710 | 220 | 75 | 1.9 | M20XL | 40 | 18 | 2 | 20 | 81 | 23 |
| WBK 25DF | 2910 | 4150 | 320 | 100 | 2.9 | M25XL.5 | 45 | 20 | 3.27 | 25 | 89 | 26 |
| WBK 25DFD | 4700 | 8300 | 440 | 150 | 4 | | | | 3.81 | | 104 | |
| WBK 25DFF | 4700 | 8300 | 640 | 200 | 5 | M30XL.5 | 50 | 20 | 4.46 | 30 | 119 | 26 |
| WBK 30DF | 2980 | 4400 | 340 | 105 | 3 | | | | 3.18 | | 89 | |
| WBK 30DFD | 4850 | 8800 | 460 | 155 | 4 | | | | 3.7 | | 104 | |
| WBK 30DFF | 4850 | 8800 | 680 | 205 | 5.2 | M35XL.5 | 55 | 22 | 4.3 | 35 | 119 | 30 |
| WBK 35DF | 3150 | 5100 | 390 | 120 | 3.6 | | | | 3.79 | | 92 | |
| WBK 35DFD | 5150 | 10200 | 530 | 175 | 4.6 | M40XL.5 | 60 | 22 | 4.45 | 40 | 107 | 30 |
| WBK 35DFF | 5150 | 10200 | 780 | 240 | 6 | | | | 5.21 | | 122 | |
| WBK 40DF | 3250 | 5300 | 400 | 125 | 3.8 | | | | 3.65 | | 92 | |
| WBK 40DFD | 5250 | 10600 | 540 | 185 | 4.8 | M40XL.5 | 60 | 22 | 4.27 | 40 | 107 | 30 |
| WBK 40DFF | 5250 | 10600 | 800 | 245 | 6.2 | | | | 5 | | 122 | |

Note:

3. Dimensions on the drawing with the star mark can be used for dust cover and damper installation. For any more information please contact our friendly, expert team.