

Features

- Compact design, light weight with rugged construction.
- Jaws mounted to wear resistant bush guides.
- Magnetic as standard.

Specification

Model	MCHU		
Acting type	Double acting		
Tube I.D. (mm)	12	16	20
Stroke	15	20	25
Fluid	Air 0.2~0.7 MPa		
Ambient temperature	-10~+60°C (No freezing)		
Lubrication (*1)	Not required		
Repeatability	±0.03 mm		
Sensor switch (*2)	RDFE(V): Non-contact		
	RNFE(V): NPN, RPFE(V): PNP		
Weight (kg)	0.16	0.29	0.58

*1. Sliding area of jaws need scheduled relubrication.
 *2. R*FE(V) specification, please refer to page 5-11.

Order example

MCHU – 12 M

MODEL

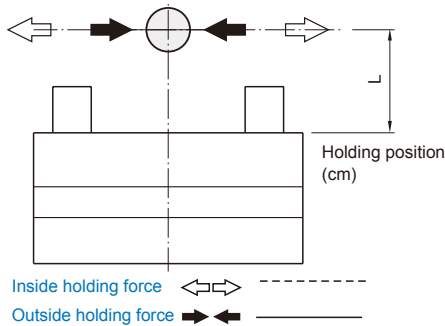
TUBE I.D.

M: Magnet

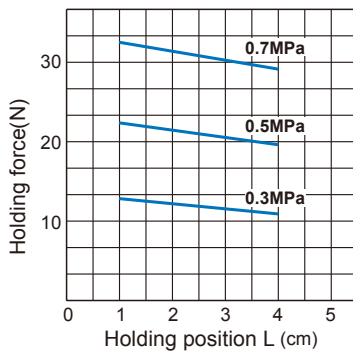
* Magnetic as standard.

12
16
20

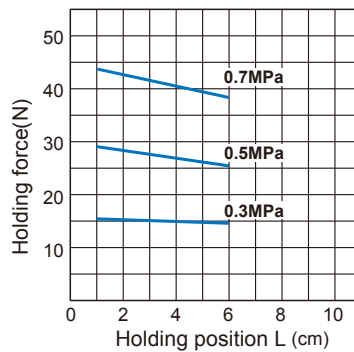
Capacity



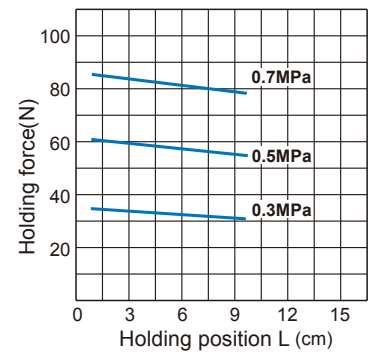
MCHU-12



MCHU-16



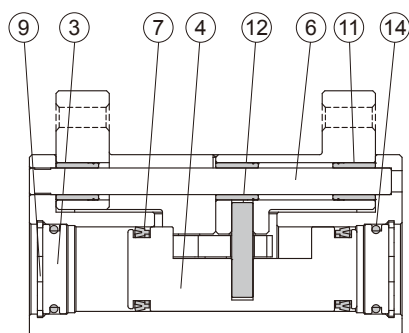
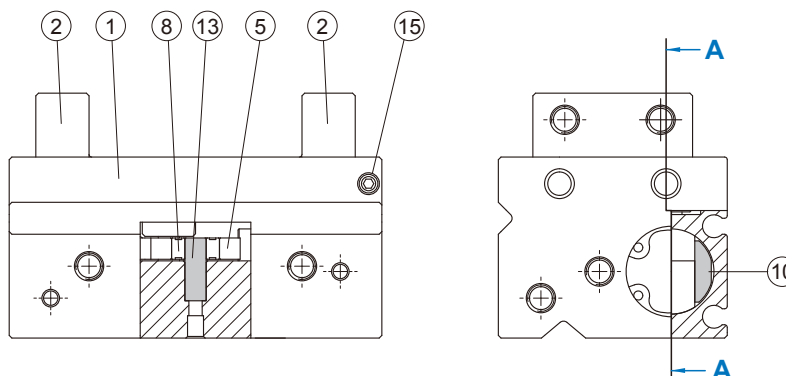
MCHU-20



Model selection suggestions

* Finger selection please refer to page 3-2.

1. For normal gripping and carrying usage, the recommended safe factor (a) is 4.
2. The value of gripping force of single finger can be found at the gripping force table.
3. The safe factor (a) have to be higher if the gripper is using at high acceleration or impact condition.



A-A

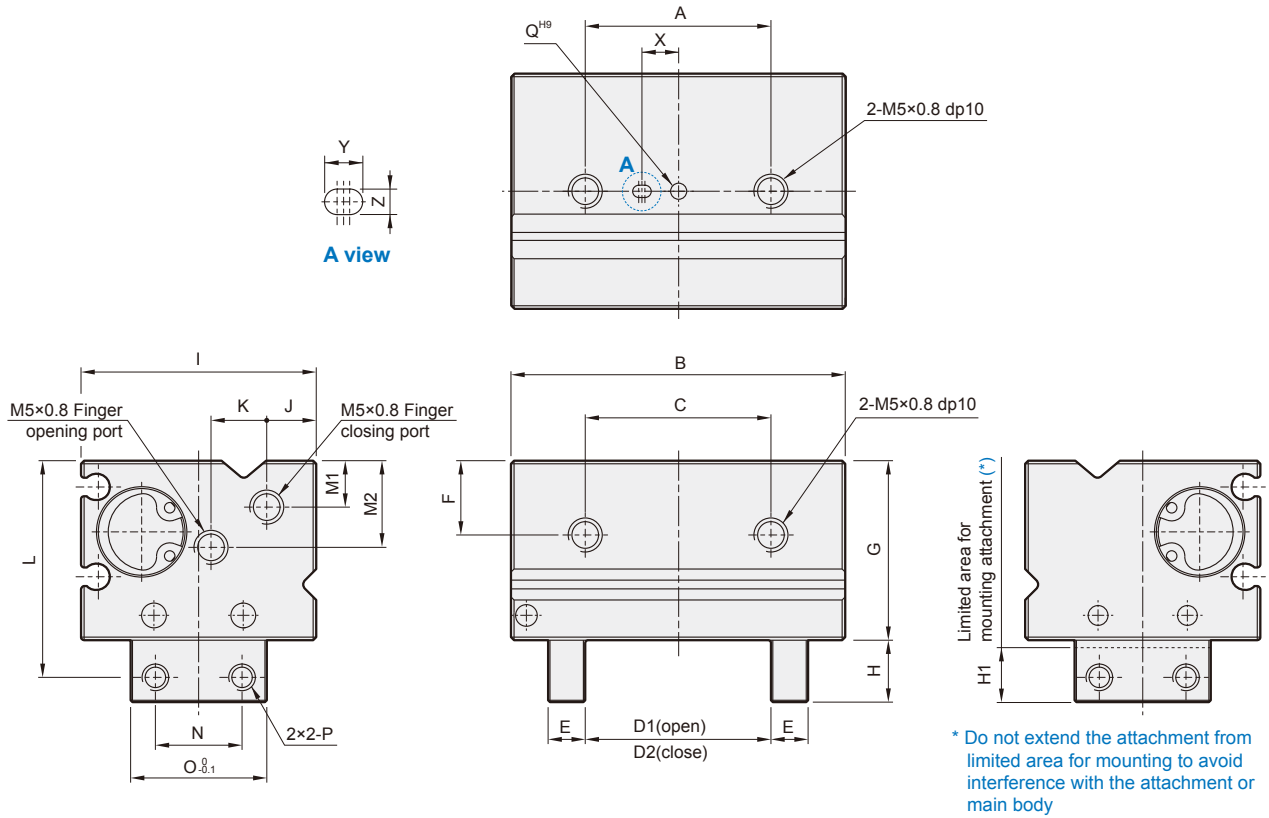
Material

No.	Tube I.D. Part name	12	16	20	Q'y	Repair kits (inclusion)
1	Body	Aluminum alloy			1	
2	Finger	Aluminum alloy			2	
3	Cover	Aluminum alloy			2	
4	Piston	Stainless steel			1	
5	Cam	SCM			1	
6	Guide rod	SUS	Carbon steel		2	
7	Piston packing	NBR			2	●
8	Bearing	Bearing steel			1	
9	Snap ring	Spring steel			2	
10	Magnet	Magnet material			1	
11	Bush	Carbon steel			6	
12	Pin	Carbon steel			2	
13	Pin	Carbon steel			1	
14	O-ring	NBR			2	●
15	Screw	Carbon steel			2	

Order example Repair kits

Tube I.D.	Repair kits
ø12	PS-MCHU-12
ø16	PS-MCHU-16
ø20	PS-MCHU-20

PARALLEL GRIPPER (2-Finger)



Code Tube I.D.	A	B	C	D1	D2	E	F	G	H	H1	I	J	K	L	M1	M2	N	O	P	Q ^{H9}	X	Y	Z ^{H9}
12	30	54	30	30	15	6	12	29	10	9	38	8	9	35	7.5	14	14	22	M4×0.7	$\varnothing 2^{+0.025}_0 \times 2dp$	6	3	$2^{+0.025}_0 \times 2dp$
16	40	70	40	40	20	10	13.5	34	12	11	43	8	11	41	7.5	12.5	18	30	M5×0.8	$\varnothing 3^{+0.025}_0 \times 4dp$	10	4	$3^{+0.025}_0 \times 4dp$
20	60	82	60	50	25	10	15	43	22	21	56	10	15	59	9	20	20	35	M5×0.8	$\varnothing 3^{+0.025}_0 \times 6dp$	15	4	$3^{+0.025}_0 \times 6dp$