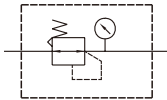


# MAR201 series

AIR UNIT (R.UNIT)



## Symbol



## Specification

Model	MAR201	
Bore No.	6A	8A
Port size	1/8	1/4
Medium	Air	
Max. operating pressure	1 MPa	
Proof pressure	1.5 MPa	
Regulated pressure range	Standard type: 0.05~0.85 MPa	
Ambient temperature	- 5~+60°C (No freezing)	
Attachment	L type bracket	
Option	Pressure gauge (PG-40)	
Weight	190 g	

## Order example

MAR201 - 6A - 1K - C - □ - □

MODEL

PORT SIZE

6A: 1/8  
8A: 1/4

ADJUSTABLE PRESS. RANGE

Blank: 0.05~0.85 MPa  
1K: 0.05~0.1 MPa  
2K: 0.05~0.2 MPa  
3K: 0.05~0.3 MPa  
4K: 0.05~0.4 MPa

BRACKET

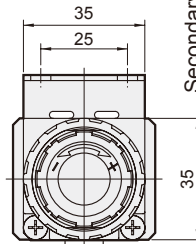
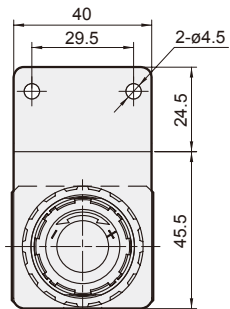
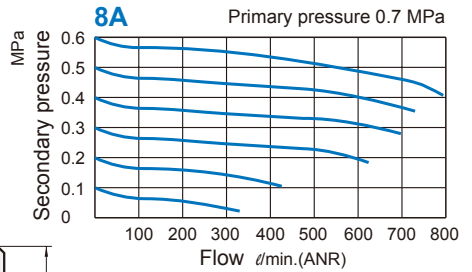
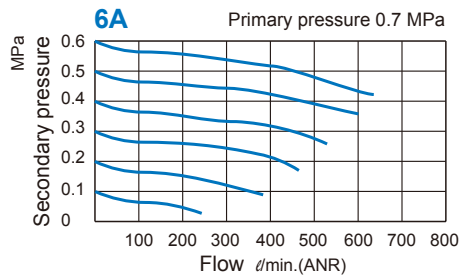
Blank: L type  
B3: Z type

PORT THREAD

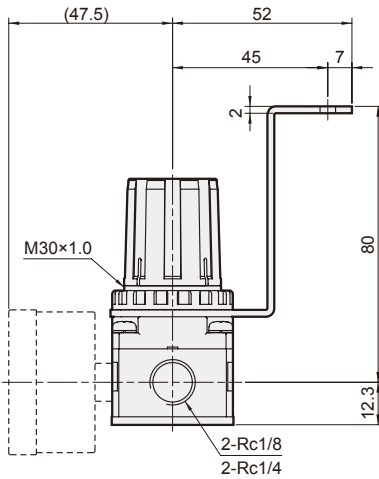
Blank: Rc thread  
G: G thread  
NPT: NPT thread

Blank: Without pressure gauge  
C: Pressure gauge (PG-40)

## Flow feature



## Z type bracket



## L type bracket

