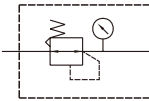




Symbol



Caution

- Supply air must be dry and dust free. Mist separator must be used to guarantee correct operation of unit.
- Air is normally being discharged to the atmosphere from a bleed hole or an exhaust port.

Order example

MAIR200 – 8A – 2K – C – □

MODEL

PORT SIZE

8A: 1/4

ADJUSTABLE PRESS. RANGE

2K: 0.005~0.2 MPa

4K: 0.01~0.4 MPa

8K: 0.01~0.8 MPa

PORT THREAD

Blank: Rc thread

G: G thread

NPT: NPT thread

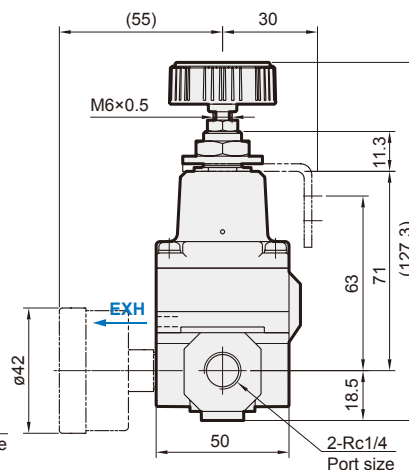
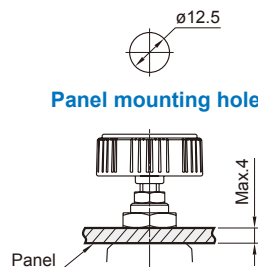
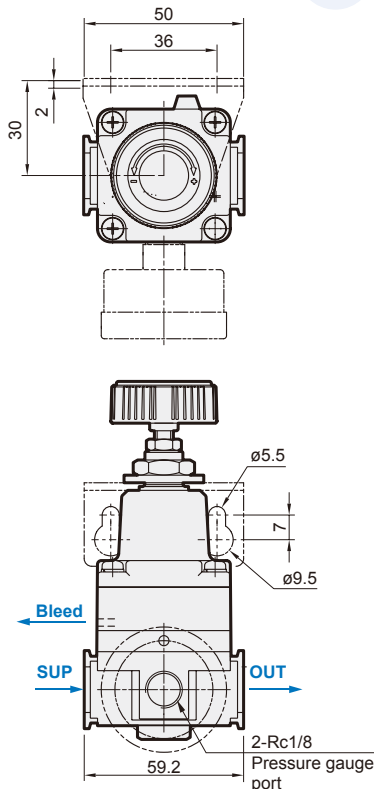
Blank: Without pressure gauge

C: Pressure gauge (PG-40S)

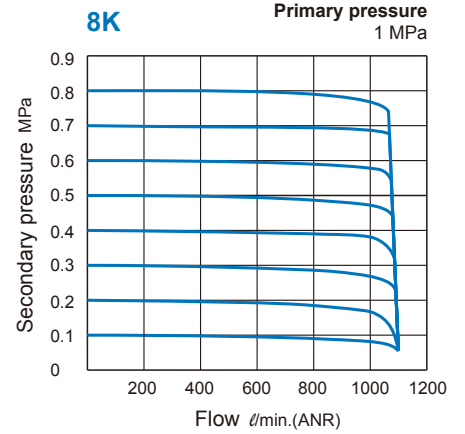
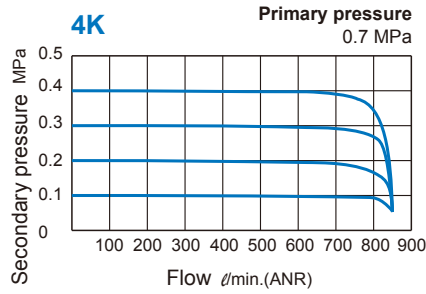
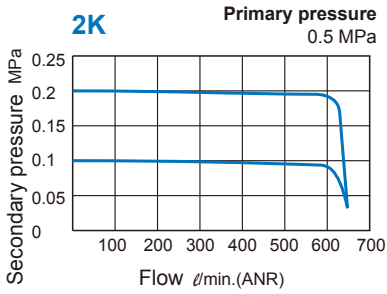
Specification

Model	MAIR200
Bore No.	8A
Port size	1/4
Medium	Air
Max. operating pressure	1 MPa
Min. operating pressure	Setting pressure+0.05 MPa
Proof pressure	1.5 MPa
Regulated pressure range	2K: 0.005~0.2 MPa
	4K: 0.01~0.4 MPa
	8K: 0.01~0.8 MPa
Sensitivity	0.2% F.S.
Repeatability	±0.5% F.S.
Air consumption(*)	4.4 ℓ/min(ANR) F.S.
Ambient temperature	- 5~+60°C (No freezing)
Attachment	Bracket
Option	Pressure gauge (PG-40S)
Weight	300 g

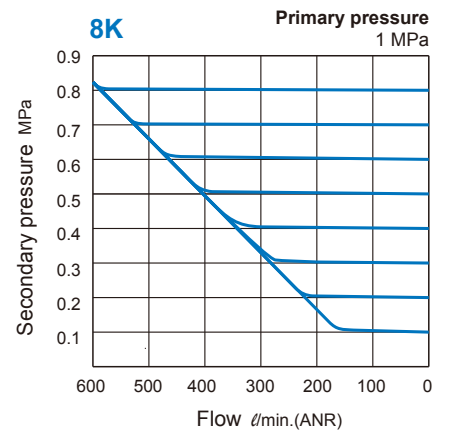
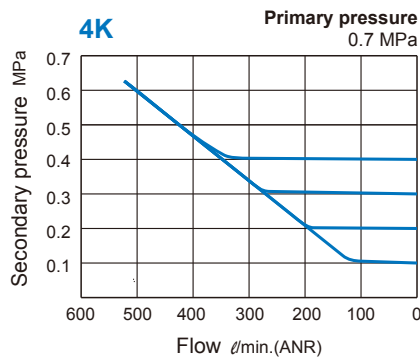
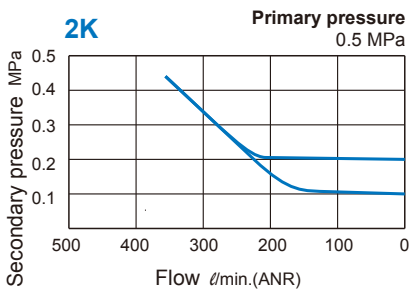
* For supply pressure 1 MPa.



Flow feature



Relief characteristics



Pressure characteristics

