



Specification

Model	PG-20	PG-25	PG-33	PG-40	PG-50
Bore No.	—	—	6A	6A	8A
Port size	—	1/16	1/8	1/8	1/4
Medium	Air				
Operating pressure range	By order specifications				
Precision	JIS 2.5 class or ASME B class				
Ambient temperature	-5~+60°C (No freezing)				
Weight	11 g	17 g	34 g	54 g	108 g

* Please consult us if out of specification.

Order example

PG - 40 S - 1K - NPT

MODEL GAUGE SIZE
20, 25, 33, 40, 50

PRESSURE RANGE
Blank: 0~1 MPa
1K: 0~0.1 MPa
2K: 0~0.2 MPa
3K: 0~0.3 MPa
4K: 0~0.4 MPa
5K: 0~0.5 MPa
20K: 0~2 MPa

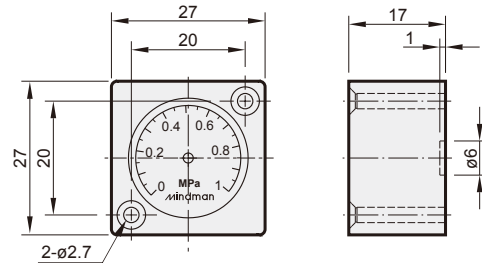
PORT THREAD
Blank: R thread
NPT: NPT thread

CASE MATERIAL

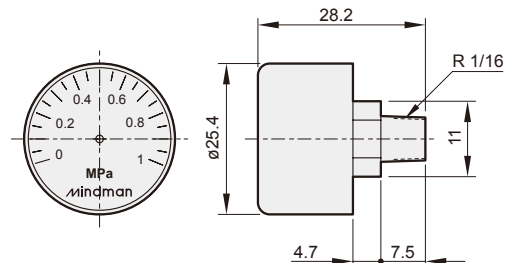
Code Model	—	W	S	Note	Code Model	—	1K	2K	3K	4K	5K	20K
PG-20	○	○		W(White)	PG-20	○	×	×	×	×	×	×
PG-25	○				PG-20W	○	×	×	×	×	×	×
PG-33			○		PG-25	○	×	×	×	×	×	×
PG-40	○			W(Electroplating)	PG-33S	○	×	○	×	○	×	×
PG-50	○				PG-40	○	○	○	○	○	○	○
					PG-40W	○	○	○	○	○	○	○
					PG-40S	○	×	○	×	○	×	×
					PG-50	○	×	×	×	×	×	○

* Blank: Standard type (Black)
PG-25 standard type (Gray)
* S: Stainless steel

PG-20

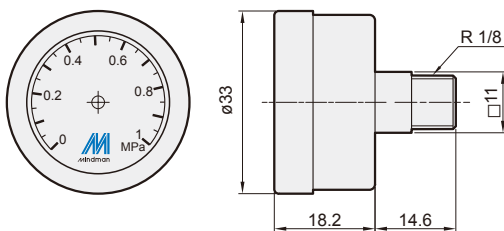


PG-25

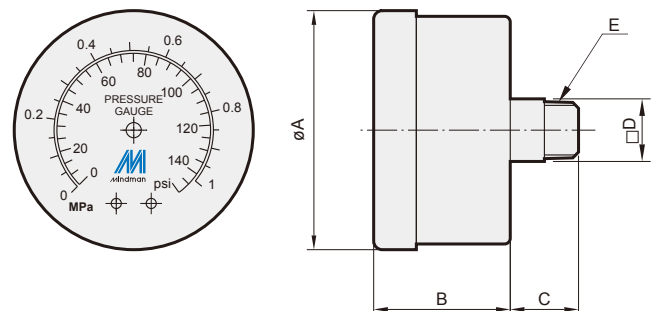


PG-33S

*Only for SUS case.



PG-40 / 50



Code Model	A	B	C	D	E
PG-40	42	25	15	11	R1/8
PG-50	53	26.5	22.5	14	R1/4