

MAL900 series

AIR UNITS (L.UNIT)



mindman

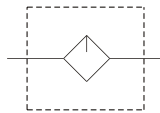


- MAL900 is useful to lubricate air tools, cylinders, valves, air motors and other air driven devices.

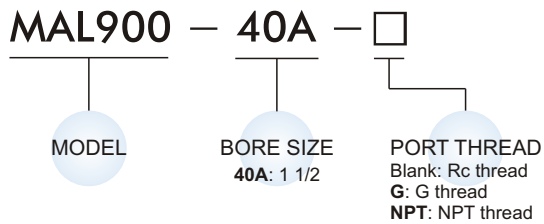
Specification

Model	MAL900
Bore No.	40A
Port size	1 1/2
Medium	Air
Max. operating pressure	1.75 MPa
Ambient temperature	0~ +80°C (No freezing)
Lubricating oil capacity	1000 c.c
Min. Flow for oil drip	204 ℓ/min
Recommended lubricating oil	Turbine oil ISO-VG32
Standard nominal flow rate(※)	12000 ℓ/min
Weight	1766 g

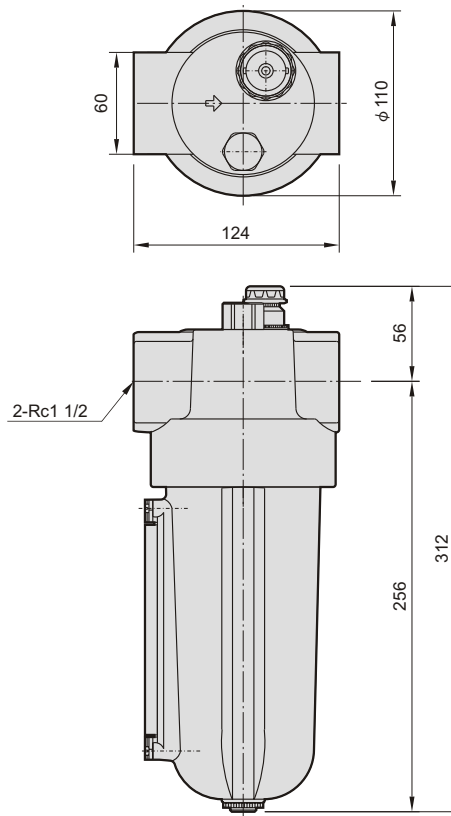
Symbol



Order example



※ Flow is at pressure P=0.6 MPa with pressure drop ΔP=0.1 MPa.



mindman