

MACP300L series

AIR UNIT (F.R.L.UNIT)



Mindman

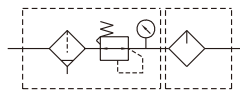


- Longer case for adapting high efficient auto drain valve.

Specification

Model	MACP300L	
Components	MAFR300L, MAL300L	
Bore No.	8A	10A
Port size	1/4	3/8
Medium	Air	
Operating pressure range (※)	0.05~1 MPa	
Proof pressure	1.5 MPa	
Regulated pressure range	0.05~0.85 MPa	
Ambient temperature	- 5~ +60°C (No freezing)	
Filter element	Standard: 5 μm Option: 40 μm	
Lubricating oil capacity	65 c.c	
Min. Flow for oil drip	50 ℓ/min	60 ℓ/min
Recommended lubricating oil	Turbine oil ISO-VG32	
Attachment	Pressure gauge (PG-40), T-type bracket	
Weight	739 g	

Symbol



※1. Standard unit contains semi-auto-drain function when operating pressure below 0.05 MPa.

※2. Choose auto-drain FMRF300, the pressure range is 0.15 ~ 1 MPa.

Order example

MACP300L — 8A — □ — □ — T8 — □

MODEL

BORE SIZE

8A: 1/4
10A: 3/8

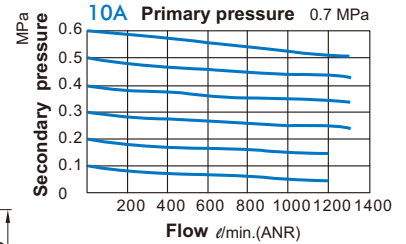
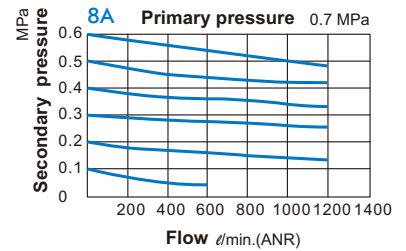
FILTER ELEMENT
Blank: 5 μm
40u: 40 μm

D: Auto drain valve (FMRF300)
N: Nylon bowl

Module mounting bracket
T8: 1/4
T10: 3/8

PORT THREAD
Blank: Rc thread
G: G thread
NPT: NPT thread

Flow feature

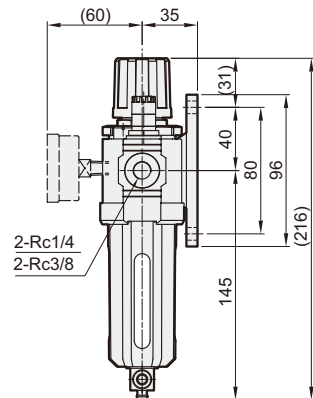
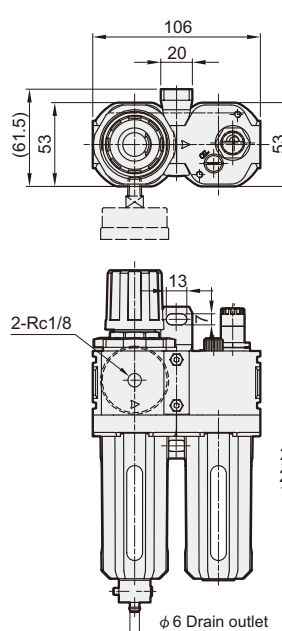
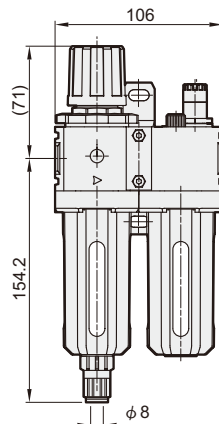
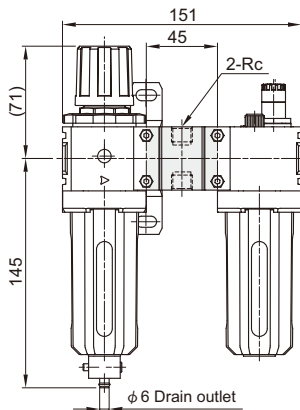


MACP300L-T*

Module mounting bracket

MACP300L-D

Auto drain valve



	Rc
T8	Rc1/4
T10	Rc3/8