

MAR402

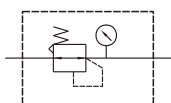
AIR UNIT (R.UNIT)



Mindman



Symbol



Specification

Model	MAR402		
Bore No.	10A	15A	20A
Port size	3/8	1/2	3/4
Medium	Air		
Max. operating pressure	1 MPa		
Proof pressure	1.5 MPa		
Regulation pressure range	0.05~0.85 MPa		
Ambient temperature	-5~+60°C (No freezing)		
Attachment	Pressure gauge		
Weight	974 g		

Order example

MAR402 - 15A - □

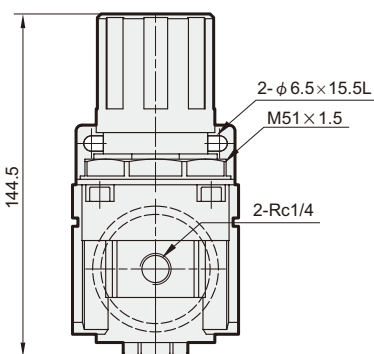
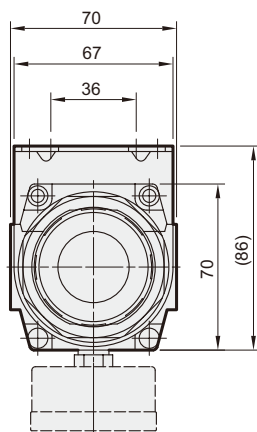
MODEL

BORE SIZE

10A: 3/8
15A: 1/2
20A: 3/4

PORT THREAD

Blank: Rc thread
G: G thread
NPT: NPT thread



Flow feature

