



6.11-6.41

T Slot Reducing Profile

Panel Mounting Block

Panel Mounting Strip

Mounting Block

6

Panel Installation Elements



P. 6-02



P. 6-03



P. 6-04



P. 6-05



Panel Installation Elements

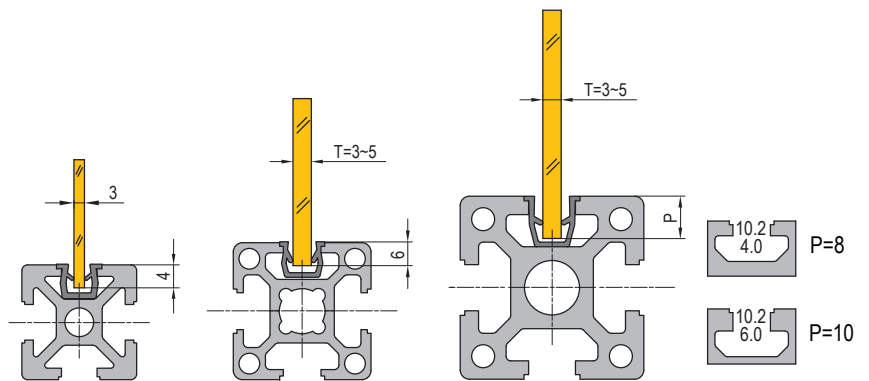
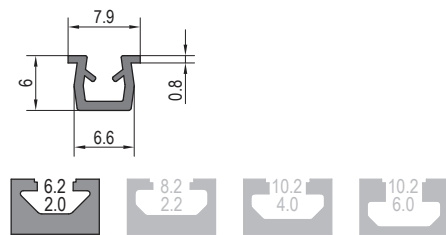
T Slot Reducing Profile

To reduce slot width for panel installation.

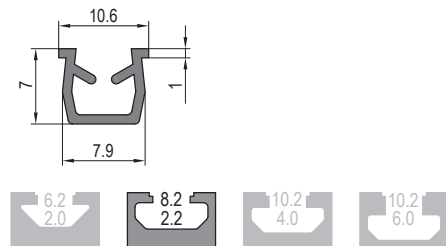
Material and Color: black PVC



T Slot Reducing Profile-6

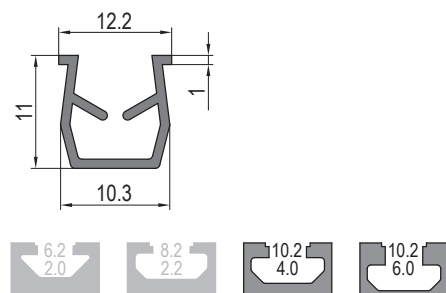


T Slot Reducing Profile-8



Description	Mass (g/m)	Delivery Length	Part No.
T Slot Reducing Profile-6	25	2000mm/bar	6.11.06 New!
T Slot Reducing Profile-8	51		6.11.08
T Slot Reducing Profile-10	64		6.11.10

T Slot Reducing Profile-10



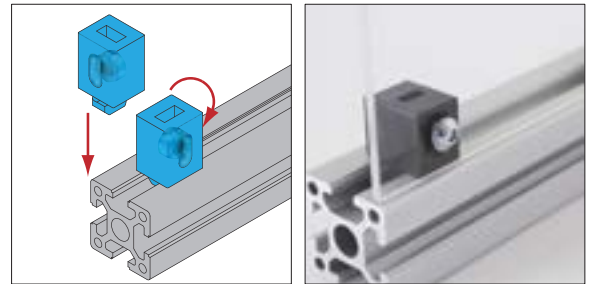
- Aluminum Profile
- Fastening Elements
- Connecting Elements
- Profile Accessories
- Floor Elements
- Panel Installation
- Door & Window Elements
- Additional Accessories
- Profile Machining

Panel Installation Elements

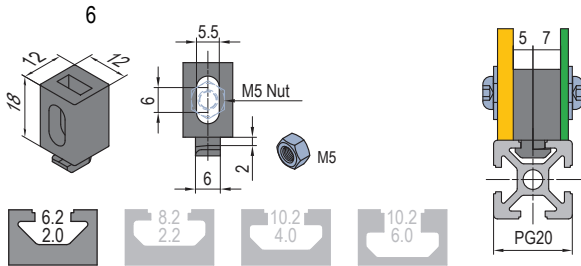
Panel Mounting Block

The block is used to attach the panel with various thickness to the profile.

Material and Color: Block-black PVC Nut-stainless steel

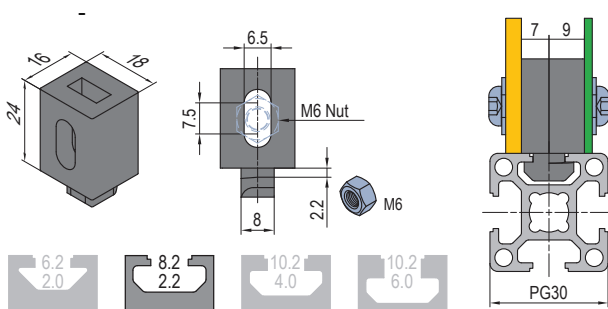


Panel Mounting Block-6

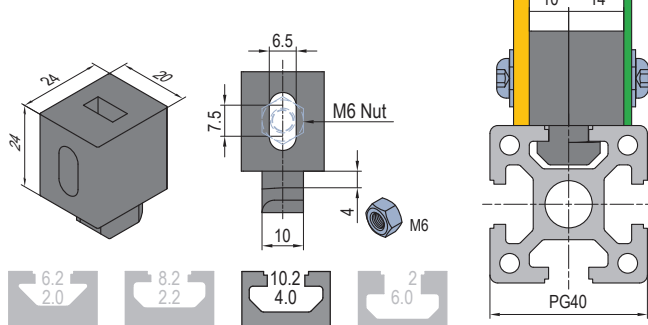


FM	Fastening Set	FN	Fastening Set	FP	Fastening Set
	M5x14 Bolt zinc plated		M6x16 Bolt zinc plated		M6x25 Bolt zinc plated
	M5 Washer zinc plated		M6 Washer zinc plated		M6 Washer zinc plated

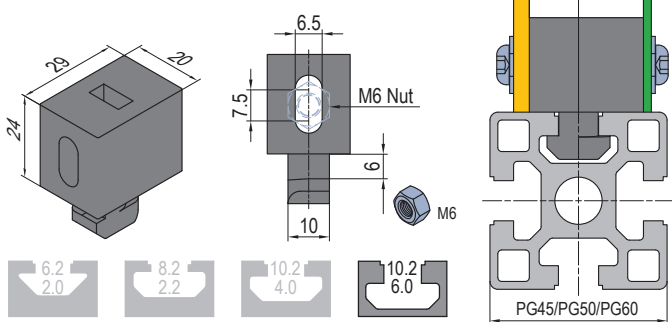
Panel Mounting Block-8



Panel Mounting Block-10-4



Panel Mounting Block-10-6



Description	PG	Fastening Set	Mass (g)	Part No.
Panel Mounting Block-6 (pcs)	PG20		4.4	6.21.06
Panel Mounting Block-6 (set)		1xFM	7	6.21.06.ST
Panel Mounting Block-8 (pcs)	PG30		9	6.21.08
Panel Mounting Block-8 (set)		1xFN	13.5	6.21.08.ST
Panel Mounting Block-10-4 (pcs)	PG40		15.8	6.21.10.04
Panel Mounting Block-10-4 (set)		1xFP	23.8	6.21.10.04.ST
Panel Mounting Block-10-6 (pcs)	PG45/50/60		20	6.21.10.06
Panel Mounting Block-10-6 (set)		1xFP	29	6.21.10.06.ST



Panel Installation Elements

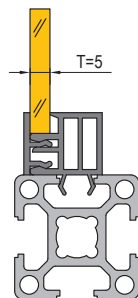
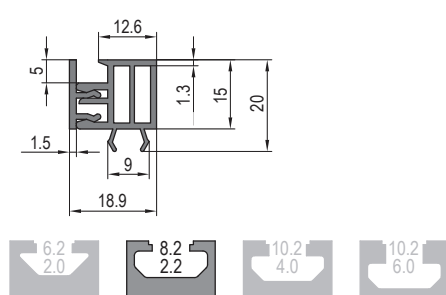
Panel Mounting Strip

To attach the panel with 3mm and 5mm thickness to the profile, widely used in clean room.

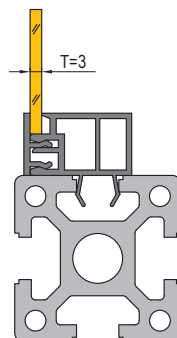
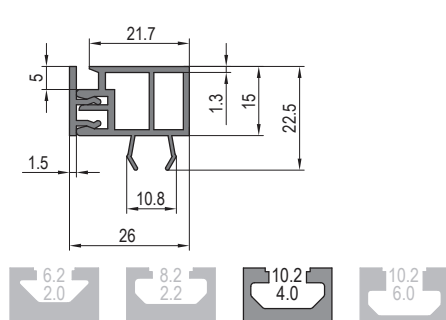
Material and Color: gray PVC



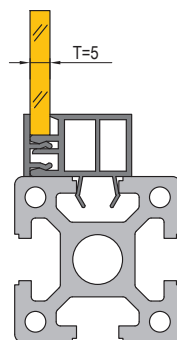
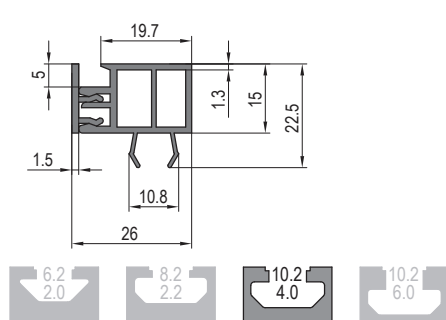
Panel Mounting Strip-8-5



Panel Mounting Strip-10-4-3



Panel Mounting Strip-10-4-5



Aluminium Profile

Fastening Elements

Connecting Elements

Profile Accessories

Floor Elements

Panel Installation

Door & Window Elements

Additional Accessories

Profile Machining

Description	PG	Mass (g/m)	Delivery length	Part No.
Panel Mounting Strip-8-5	PG30	220	2000mm/bar	6.31.08.02
Panel Mounting Strip-10-4-3	PG40	273		6.31.10.04.01
Panel Mounting Strip-10-4-5		260		6.31.10.04.02

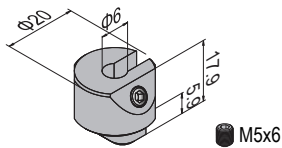
Panel Installation Elements

Mounting Block

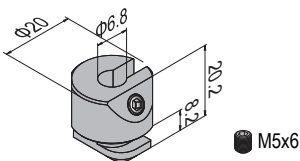
Mounting block is used for fixing the mesh of $\Phi 4$ to the standard profiles, which has a better physical property.

Material: diecast zinc

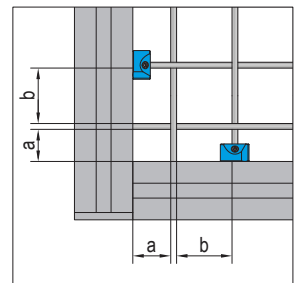
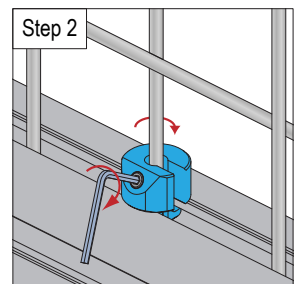
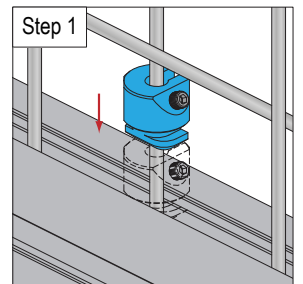
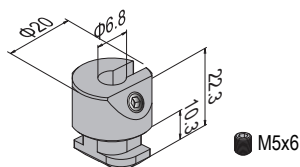
Mounting Block-8



Mounting Block-10-4



Mounting Block-10-6



Description	PG	Mass (g/pcs)	Part No.
Mounting Block-8(with top thread)	PG30	19	6.41.08.01
Mounting Block-10-4(with top thread)	PG40	21	6.41.10.04.01
Mounting Block-10-6(with top thread)	PG45/50/60	23	6.41.10.06.01 New!

Note: The distance (a) between the nearest meshes and profiles have to be more than 20mm and less than $b+5\text{mm}$ (b is the distance of the meshes). And the optimum distance between mounting blocks is 300mm to ensure the structure intensity.