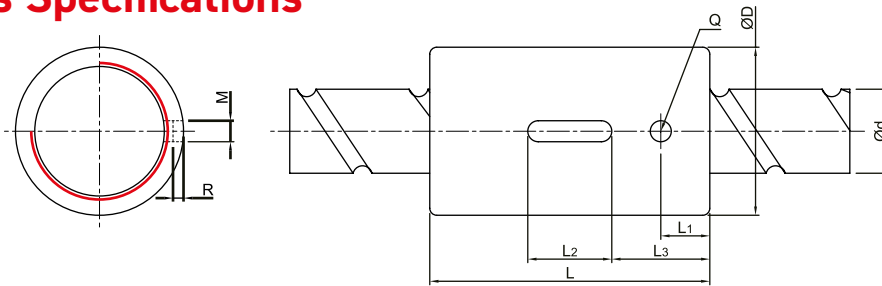


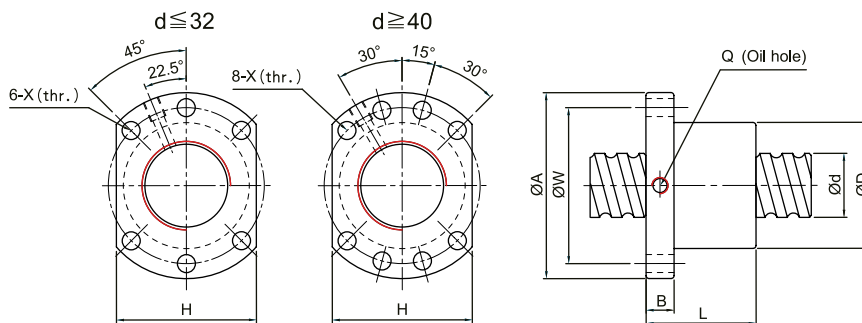
SCNH Series Specifications



Unit: mm

Model No.	d	l	Da	Dimension									Load Rating		K kgf/ µm
				D	L	L1	L2	L3	M	R	Q	n	C _a (kgf)	C _{0a} (kgf)	
SCNH01205-4.8	12	5	2.5	24	40	7	12	14	3	1.5	3	4.8x1	536	794	34
SCNH01210-2.8		10	2.5	24	45	8	15	15	3	1.5	3	2.8x1	642	1287	19
XCNH01210-1.8		10	2.5	24	40	10.5	12	14	3	1.5	3	1.8x1	422	771	33
SCNH01605-5.8	15	5	2.778	28	45	7	20	12.5	5	3	3	5.8x1	1599	3827	49
SCNH01610-2.8		10	2.778	28	45	7	20	12.5	5	3	3	2.8x1	839	1821	23
SCNH01616-1.8		16	2.778	28	45	7	20	12.5	5	3	3	1.8x1	552	1137	18
SCNH01620-1.8		20	2.778	28	58	10	20	19	5	3	3	1.8x1	808	1769	14
SCNH02005-5.8	20	5	3.175	36	47	8	20	13.5	5	3	3	5.8x1	2134	5619	60
SCNH02010-3.8		10	3.175	36	55	8	20	17.5	5	3	3	3.8x1	1516	3833	40
SCNH02020-1.8		20	3.175	36	55	8	20	17.5	5	3	3	1.8x1	764	1758	19

SFNU/SFU (DIN 69051 FORM B) Series Specifications



Unit: mm

Model No.	d	l	Da	Dimension									Load Rating		K kgf/ µm
				D	A	B	L	W	H	X	Q	n	C _a (kgf)	C _{0a} (kgf)	
SFNU01605-4	16	5	3.175	28	48	10	45	38	40	5.5	M6	1x4	1380	3052	32
SFNU01610-3		10	3.175	28	48	10	57	38	40	5.5	M6	1x3	1103	2401	26
SFNU02005-4	20	5	3.175	36	58	10	51	47	44	6.6	M6	1x4	1551	3875	39
SFNU02505-4		5	3.175	40	62	10	51	51	48	6.6	M6	1x4	1724	4904	45
SFNU02510-4	25	10	4.762	40	62	12	80	51	48	6.6	M6	1x4	2954	7295	50
SFNU03205-4		32	5	3.175	50	80	12	52	65	62	9	M6	1x4	1922	6343
SFNU03210-4	10		6.35	50	80	12	85	65	62	9	M6	1x4	4805	12208	61
SFNU04005-4	40	5	3.175	63	93	14	55	78	70	9	MB	1x4	2110	7988	63
SFNU04010-4		10	6.35	63	93	14	88	78	70	9	MB	1x4	5399	15500	73
SFNU05010-4	50	10	6.35	75	110	16	88	93	85	11	MB	1x4	6004	19614	85
SFNU06310-4		63	10	6.35	90	125	18	93	108	95	11	MB	1x4	6719	25358
SFNU08010-4	80	10	6.35	105	145	20	93	125	110	13.5	MB	1x4	7346	31953	109
SFU01204-4		12	4	2.5	24	40	10	40	32	30	4.5		1x4	902	1884
SFU01604-4	16	4	2.381	28	48	10	40	38	40	5.5	M6	1x4	973	2406	32
SFU02004-4		4	2.381	36	58	10	42	47	44	6.6	M6	1x4	1066	2987	38
SFU02504-4	25	4	2.381	40	62	10	42	51	48	6.6	M6	1x4	1180	3795	43
SFU03204-4		4	2.381	50	80	12	44	65	62	9	M6	1x4	1296	4838	51
SFU05020-4	50	20	7.144	75	110	16	138	93	85	11	MB	1x4	7142	22588	94
SFU06320-4		63	20	9.525	95	135	20	149	115	100	13.5	MB	1x4	11444	36653
SFU08020-4	80	20	9.525	125	165	25	154	145	130	13.5	MB	1x4	12911	47747	138
SFU10020-4		20	9.525	150	202	30	180	170	155	17.5	MB	1x4	14303	60698	162