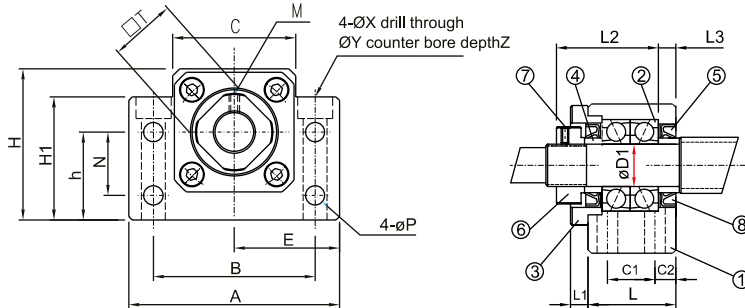


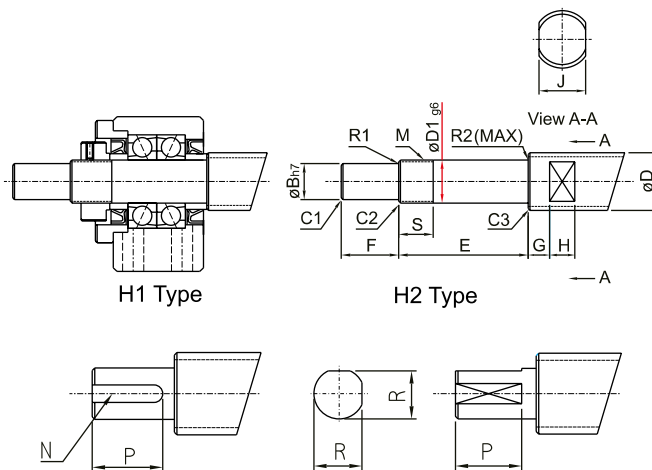
BK Series (Fixed End) Size 10-20



Code	Items	pcs
1	Housing	1 PCS
2	Bearing	1 SET
3	Lid	1 PCS
4	Spacer	2 PCS
5	Seal	2 PCS
6	Lock Nut	1 PCS
7	Screw with Washer	1 PCS

Model No.	D1	A	B	C	C1	C2	E ±0.02	H1	h ±0.02	H	L	L1	L2	L3	T	p	N	M	X	Y	Z	Bearing Model
BK-10	10	60	46	34	13	6	30	32.5	22	39	25	5	29	5	16	5.5	15	M3	6.6	11	5	7000ATYDFC8P5
BK-12	12	60	46	34	13	6	30	32.5	25	43	25	5	29	5	19	5.5	18	M3	6.6	11	1.5	7001ATYDFC8P5
BK-15	15	70	54	40	15	6	35	38	28	48	27	6	32	6	22	5.5	18	M3	6.6	11	6.5	7002ATYDFC8P5
BK-17	17	86	68	50	19	8	43	55	39	64	35	9	44	7	24	6.6	28	M4	9	14	8.5	7203ATYDFC8P5
BK-20	20	88	70	52	19	8	44	50	34	60	35	8	43	8	30	6.6	22	M4	9	14	8.5	7004ATYDFC8P5

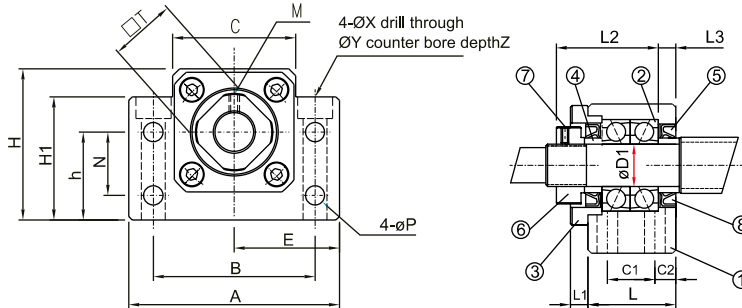
Suggested End Machining Dimensions



Dimension(mm)		h unit0.001
Above	Under	
6	10	-2 -15
10	18	-3 -18
18	30	-3 -21

Model No.	Diameter	D1	B	E	F	M	S	J	G	H	Chamfering			Circular Radius		H1 Keyway (WxDxL)		h unit0.001	
											C1	C2	C3	R2	N	P	R	P	C3
BK-10	Ø12, Ø14, Ø15	10	8	39	15	M10x1	16	10	5	7	0.5	0.5	0.5	0.3	0.6	2x1.2	11	7.5	11
BK-12	Ø14, Ø15, Ø16, Ø18	12	10	39	15	M12x1	14	13	6	8	0.5	0.5	0.5	0.3	0.6	3x1.8	12	9.5	12
BK-15	Ø18, Ø20	15	12	40	20	M15x1	12	16	6	9	0.5	0.5	0.5	0.3	0.6	4x2.5	16	11.3	16
BK-17	Ø20, Ø25	17	15	53	23	M17x1	17	18	7	10	0.5	0.5	0.5	0.3	0.6	5x3.0	21	14.3	21
BK-20	Ø25, Ø28	20	17	53	25	M20x1	15	21	8	11	0.5	0.5	0.5	0.5	0.6	5x3.0	21	16	21

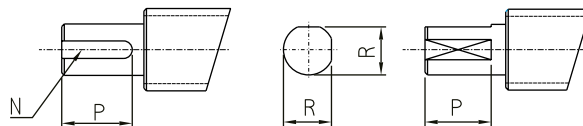
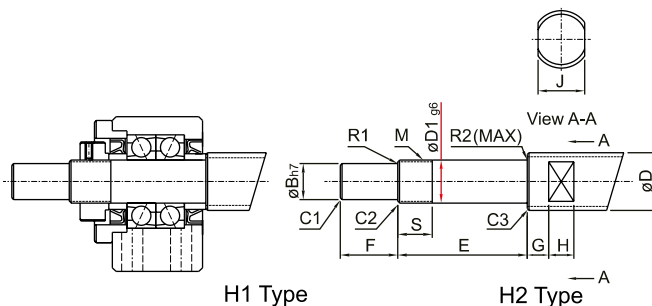
BK Series (Fixed End) Size 25-40



Code	Items	pcs
1	Housing	1 PCS
2	Bearing	1 SET
3	Lid	1 PCS
4	Spacer	2 PCS
5	Seal	2 PCS
6	Lock Nut	1 PCS
7	Screw with Washer	1 PCS

Model No.	D1	A	B	C	C1	C2	E ±0.02	H1	h ±0.02	H	L	L1	L2	L3	T	p	N	M	X	Y	Z	Bearing Model
BK-25	25	106	85	64	22	10	53	70	48	80	42	12	54	9	35	9	33	M5	11	17.5	11	7205ATYDFC8P5
BK-30	30	128	102	76	23	11	64	78	51	89	45	14	61	9	40	11	33	M6	14	20	13	7206ATYDFC8P5
BK-35	35	140	114	88	26	12	70	79	52	96	50	14	67	12	50	11	35	MB	14	20	13	7207ATYDFC8P5
BK-40	40	160	130	100	33	14	80	90	60	110	61	18	76	15	50	14	37	MB	18	26	17.5	7208ATYDFC8P5

Suggested End Machining Dimensions



Dimension(mm)		h unit 0.001
Above	Under	
18	30	-3 -21
30	50	-4 -25

Model No.	Diameter	D1	B	E	F	M	S	J	G	H	Chamfering			Circular Radius		H1 Keyway (WxDxL)		h unit 0.001	
											C1	C2	C3	R1	R2	N	P	R	P
BK-25	Ø32, Ø36	25	20	65	30	M25x1.5	18	27	10	13	0.5	0.7	1.0	0.5	0.6	6x3.5	25	19	25
BK-30	Ø36, Ø40	30	25	72	38	M30x1.5	25	32	10	15	0.5	0.7	1.0	0.5	1.0	8x4.0	32	23.5	32
BK-35	Ø40, Ø45, Ø50	35	30	83	45	M35x1.5	28	36	12	15	0.5	1.0	1.0	0.5	1.0	8x4.0	40	28.5	40
BK-40	Ø50, Ø55	40	35	98	50	M40x1.5	35	41	14	19	0.5	1.0	1.0	0.5	1.0	10x5.0	45	33	45