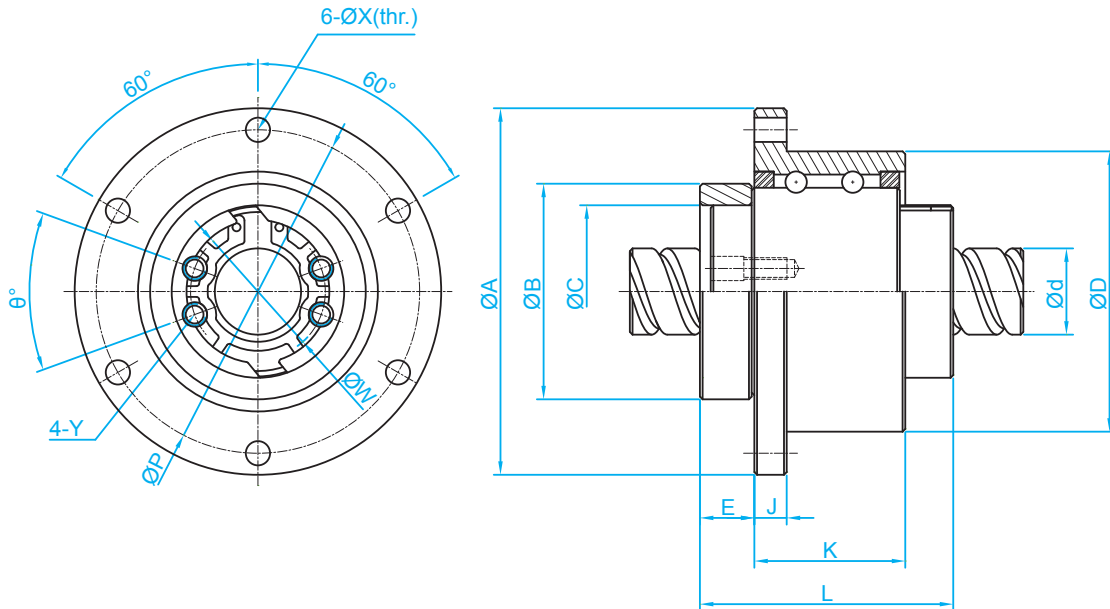


# ABOUT PRECISION ROTARY BALL

## 1-5 Nominal Model Code of Rotary Series

RFBY Series Specifications



Unit : mm

Model No.	d	I	Da	n	Support Bearing Load Rating		Ball Screw Nut Dimension														Screw Nut Load Rating	
					Ca (kgf)	Coa (kgf)	D	A	B	L	C	E	J	K	P	X	W	Y	θ	Ca (kgf)	Coa (kgf)	
RFBY01616-1.8	16	16	2.778	1.8x1	750	1593	52 <sup>0</sup> <sub>-0.007</sub>	68	40 <sup>0</sup> <sub>-0.025</sub>	47	32 <sup>+0.025</sup> <sub>0</sub>	10.1	6	28	60	4.5	25	M4	40	591	1275	
RFBY01616-3.6	16	16	2.778	1.8x2	750	1593	52 <sup>0</sup> <sub>-0.007</sub>	68	40 <sup>0</sup> <sub>-0.025</sub>	47	32 <sup>+0.025</sup> <sub>0</sub>	10.1	6	28	60	4.5	25	M4	40	1073	2551	
RFBY02020-1.8	20	20	3.175	1.8x1	1066	2452	62 <sup>0</sup> <sub>-0.007</sub>	78	50 <sup>0</sup> <sub>-0.025</sub>	53.5	39 <sup>+0.025</sup> <sub>0</sub>	11	7	34.5	70	4.5	31	M5	40	764	1758	
RFBY02020-3.6	20	20	3.175	1.8x2	1066	2452	62 <sup>0</sup> <sub>-0.007</sub>	78	50 <sup>0</sup> <sub>-0.025</sub>	53.5	39 <sup>+0.025</sup> <sub>0</sub>	11	7	34.5	70	4.5	31	M5	40	1387	3515	
RFBY02525-1.8	25	25	3.969	1.8x1	1119	2765	72 <sup>0</sup> <sub>-0.007</sub>	92	58 <sup>0</sup> <sub>-0.03</sub>	65	47 <sup>+0.025</sup> <sub>0</sub>	15.8	8	35	81	5.5	38	M6	40	1142	2747	
RFBY02525-3.6	25	25	3.969	1.8x2	1119	2765	72 <sup>0</sup> <sub>-0.007</sub>	92	58 <sup>0</sup> <sub>-0.03</sub>	65	47 <sup>+0.025</sup> <sub>0</sub>	15.8	8	35	81	5.5	38	M6	40	2074	5494	
RFBY03232-1.8♦	32	32	4.762	1.8x1	2087	5586	80 <sup>0</sup> <sub>-0.007</sub>	105	66 <sup>0</sup> <sub>-0.03</sub>	81	58 <sup>+0.03</sup> <sub>0</sub>	21.5	9	42.5	91	6.6	48	M6	40	1664	4345	
RFBY04040-1.8♦	40	40	6.35	1.8x1	3183	9306	110 <sup>0</sup> <sub>-0.008</sub>	140	90 <sup>0</sup> <sub>-0.035</sub>	102	73 <sup>+0.03</sup> <sub>0</sub>	16.5	11	64.5	123	9	61	M8	50	2662	7031	
RFBY05050-1.8♦	50	50	7.938	1.8x1	4328	12573	120 <sup>0</sup> <sub>-0.008</sub>	156	100 <sup>0</sup> <sub>-0.035</sub>	121	90 <sup>+0.035</sup> <sub>0</sub>	29	12	70	136	11	75	M10	50	3978	10987	

※Items labeled with ♦ are customized products. For these product orders, please contact TBI in advance.