

MACT302 series

AIR UNIT (F.R.L.UNIT)

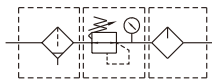


Specification



Option: MP41

Symbol



Model	MACT302		
Components	MAF302, MAR302, MAL302		
Bore No.	8A	10A	15A
Port size	1/4	3/8	1/2
Medium	Air		
Operating pressure range (*)	0.05~1 MPa		
Proof pressure	1.5 MPa		
Effective orifice	32mm ²	34mm ²	
Regulated pressure range	0.05~0.85 MPa		
Ambient temperature	- 5~+60°C (No freezing)		
Filter element	Standard: 5μm, Option: 40μm		
Lubricating oil capacity	65c.c		
Min. flow for oil drip	50 ℓ/min	60 ℓ/min	
Recommended lubricating oil	Turbine oil ISO-VG32		
Attachment	Pressure gauge (PG-20), T-type bracket		
Weight	1115 g		

* Standard unit contains semi-auto-drain function when operating pressure below 0.05 MPa.

* Choose auto-drain FMRF300, the pressure range is 0.15~1 MPa.

Order example

MACT302 – 8A – DN – E1 – □ – T8 – □

MODEL

PORT SIZE

8A: 1/4
10A: 3/8
15A: 1/2

FILTER ELEMENT
Blank: 5μm
40u: 40μm

PORT THREAD
Blank: Rc thread
G: G thread
NPT: NPT thread

(Option)

PRESSURE SWITCH

E1: MP41P-022
E2: MP41P-022-QD
E5: MP41P-042
E6: MP41P-042-QD

(Option)

BY-PASS PORT SIZE

T type bracket	T8: 1/4 T10: 3/8 T15: 1/2
Check valve	K8: 1/4 K10: 3/8

Blank: PC bowl + Semi-auto drain
C: External pressure gauge (PG-40)
D: Auto drain valve (FMRF300)
M: Metal bowl
N: Nylon bowl

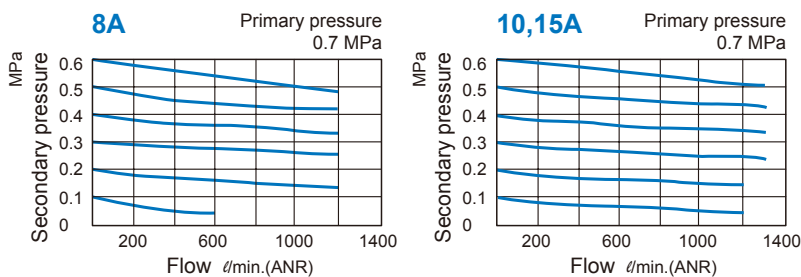
* PG-40 (C) and MP41 (E*) can not be selected at the same time.

* Metal bowl (M) and Nylon bowl (N) can not be selected at the same time.

* Refer to page 5-11 for the option of digital pressure switch MP41 (E*).

* Be sure to use above check valves when redirecting the air flow on the inlet side of the lubricator.

Flow feature

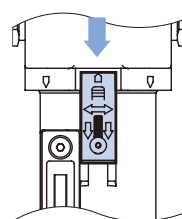


Caution

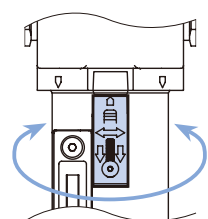
Metal bowl

Before assembling or disassembling, push the lock plate down to the end, and confirm that it is detached from the body then rotate the bowl, otherwise the lock plate will be deformed or the body will be scratched.

1. Sliding plate down

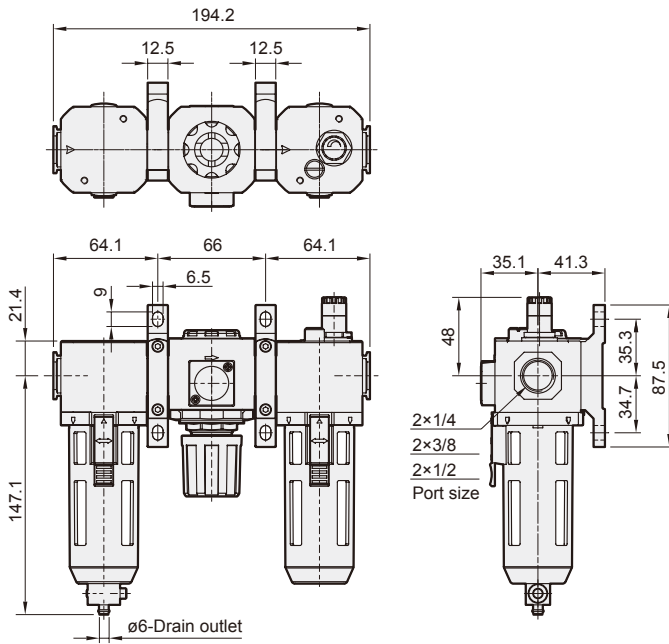


2. Rotating the bowl



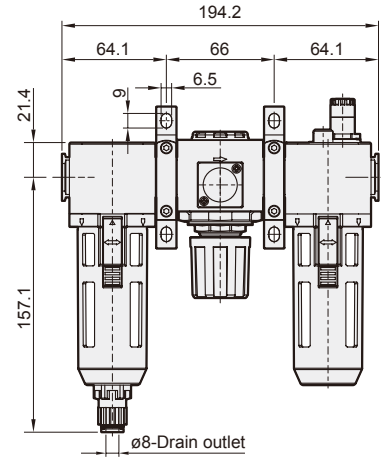
MACT302 Dimensions

AIR UNIT (F.R.L.UNIT)



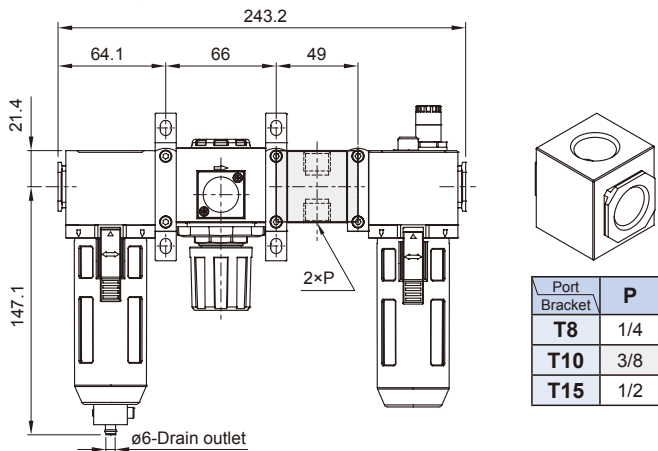
MACT302-D*

Auto drain valve



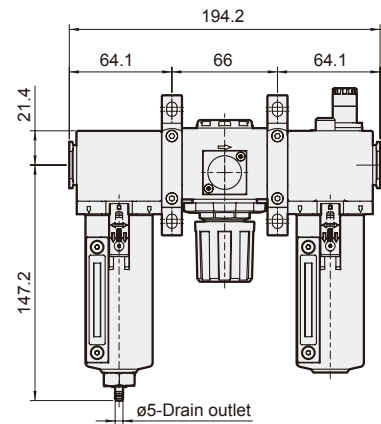
MACT302-T*

T type bracket



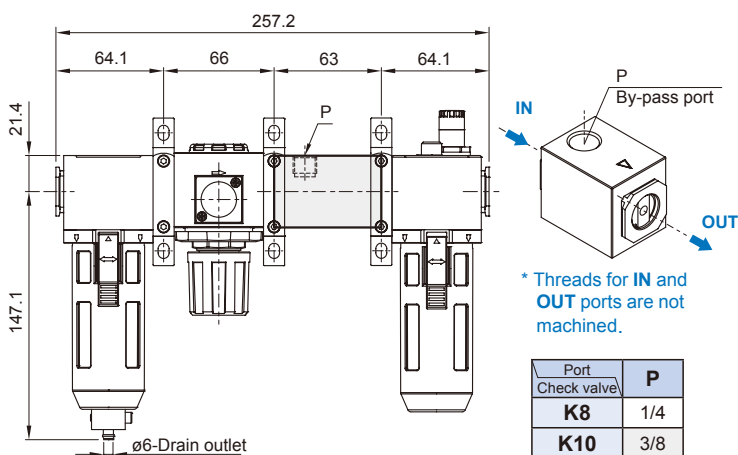
MACT302-M*

Metal bowl



MACT302-K*

Check valve



MACT302-DM*

Auto drain valve + Metal bowl

