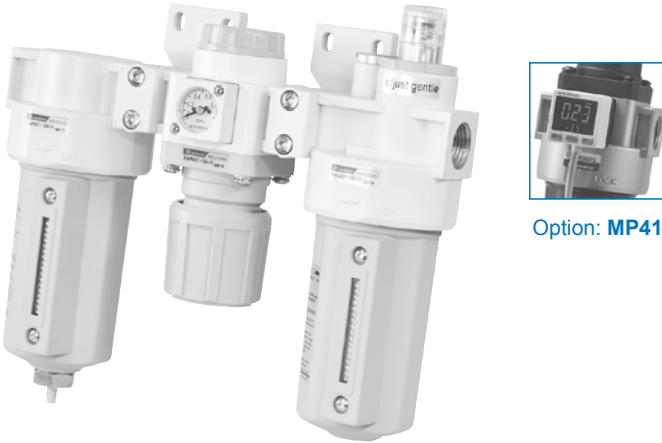


MACT401 series

AIR UNIT (F.R.L.UNIT)

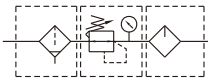


mindman



Option: **MP41**

Symbol



Specification

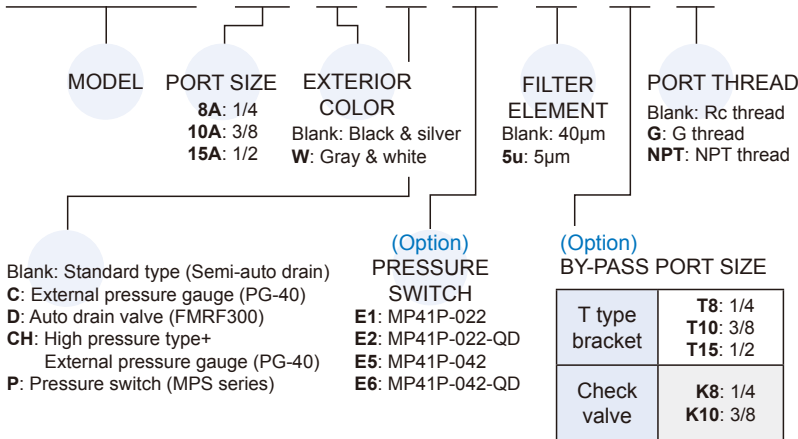
Model	MACT401		
Components	MAF401, MAR401, MAL401		
Bore No.	8A	10A	15A
Port size	1/4	3/8	1/2
Medium	Air		
Operating pressure range (*)	0.05~1.5 MPa		
Proof pressure	2 MPa		
Regulated pressure range	Standard: 0.1~0.85 MPa High pressure: 0.1~1.5 MPa		
Ambient temperature	- 5~+60°C (No freezing)		
Filter element	Standard: 40µm, Option: 5µm		
Lubricating oil capacity	200c.c		
Min. flow for oil drip	30 ℓ/min	65 ℓ/min	80 ℓ/min
Recommended lubricating oil	Turbine oil ISO-VG32		
Attachment	Pressure gauge (PG-20), L-type bracket		
Weight	1812 g		

* Standard unit contains semi-auto-drain function when operating pressure below 0.05 MPa.

* Choose auto-drain FMRF300, the pressure range is 0.15~1 MPa.

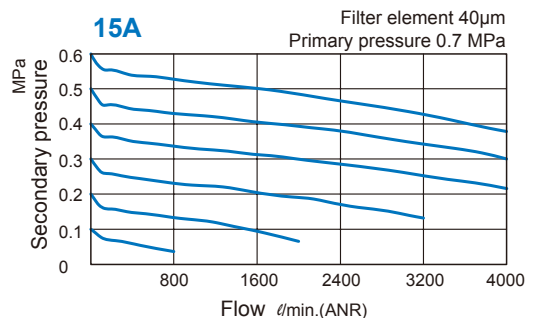
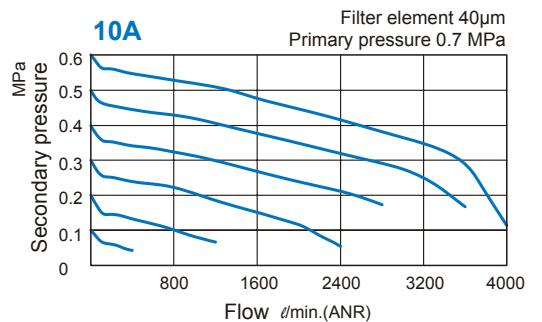
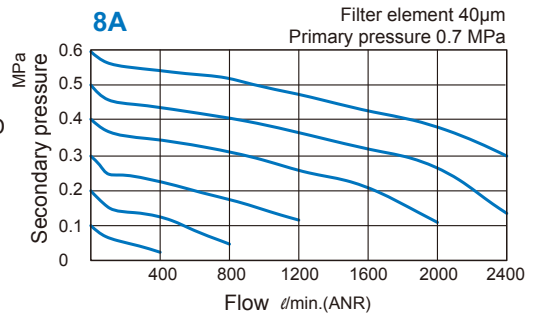
Order example

MACT401-8A-□-□-E1-□-T8-□



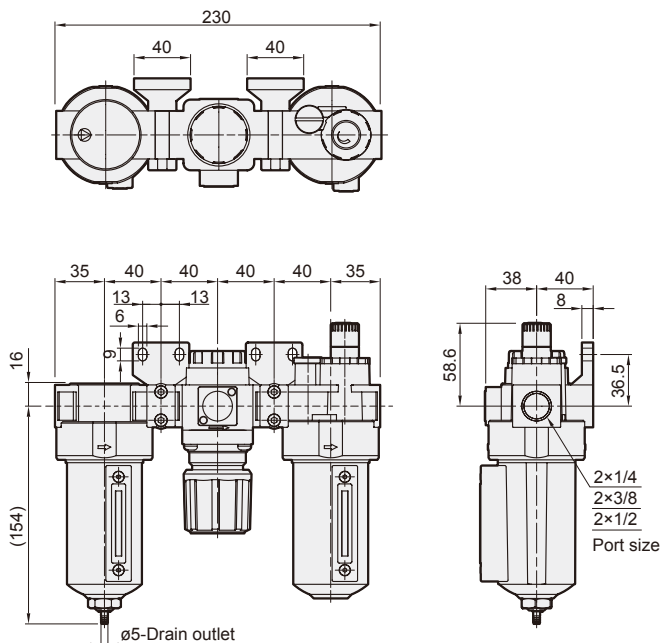
- * High pressure type (CH) can not choose with auto drain valve (D) when operating pressure over than 1 MPa.
- * PG-40 (C) and MP41 (E*) can not be selected at the same time.
- * Be sure to use above check valves when redirecting the air flow on the inlet side of the lubricator.
- * Refer to page 5-11 for the option of digital pressure switch MP41 (E*).

Flow feature



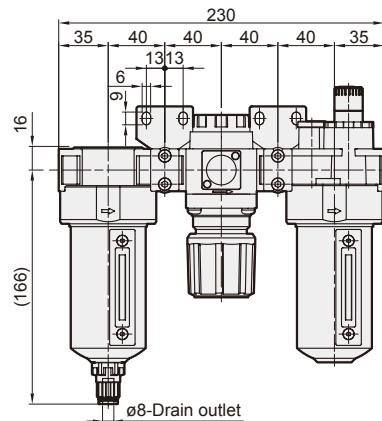
MACT401 Dimensions

AIR UNIT (F.R.L.UNIT)



MACT401-D

Auto drain valve

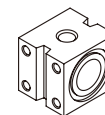
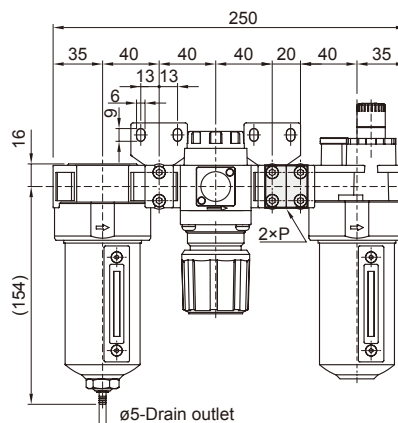
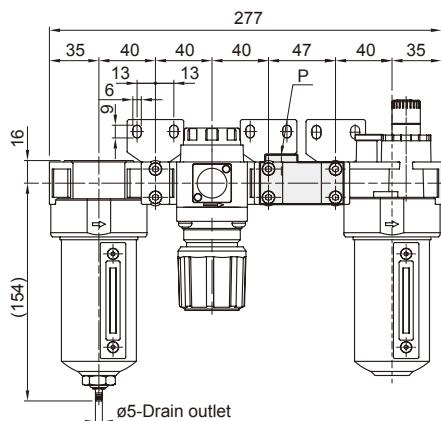


MACT401-T*

T type bracket

MACT401-K*

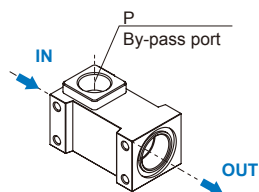
Check valve



Port Bracket	P
T8	1/4
T10	3/8
T15	1/2

MACT401-P

MPS Series
pneumatic pressure switch



Port Check valve	P
K8	1/4
K10	3/8

* Threads for IN and OUT ports are not machined.

