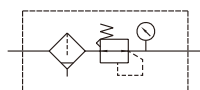


MAFR100 series

AIR UNIT (F.R.UNIT)



Symbol



Specification

Model	MAFR100
Port size	M5×0.8
Medium	Air
Operating pressure range (*)	0.05~1 MPa
Proof pressure	1.5 MPa
Regulated pressure range	0.05~0.7 MPa
Ambient temperature	-5~+60°C (No freezing)
Filter element	Standard: 5µm, Option: 40µm
Drain capacity	3.5 cm ³
Attachment	Pressure gauge (PG-25), bracket
Weight	130 g

*Standard unit contains semi-auto-drain function when operating pressure below 0.05 MPa.

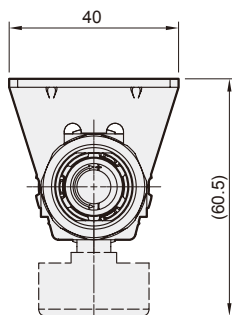
Order example

MAFR100 — M5 — □

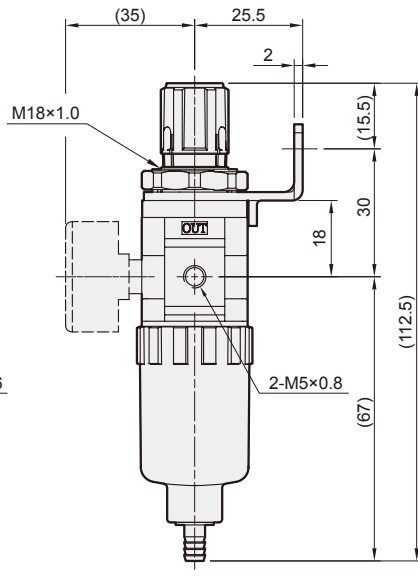
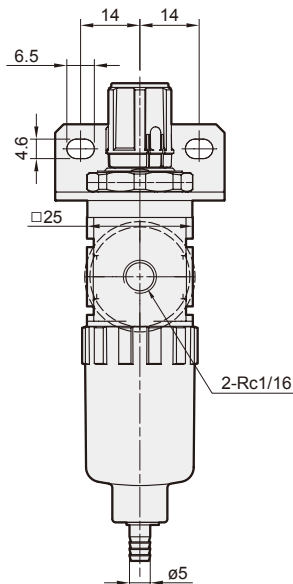
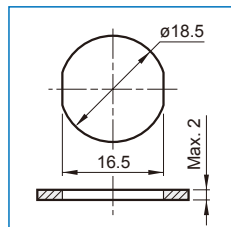
MODEL

PORT SIZE

FILTER ELEMENT
Blank: 5µm
40u: 40µm



Panel mounting hole



Flow feature

