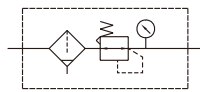


# MAFR300 series

AIR UNIT (F.R.UNIT)



### Symbol



### Specification

Model	MAFR300	
Bore No.	8A	10A
Port size	1/4	3/8
Medium	Air	
Operating pressure range (*)	0.05~1 MPa	
Proof pressure	1.5 MPa	
Regulated pressure range	0.05~0.85 MPa	
Ambient temperature	- 5~+60°C (No freezing)	
Filter element	Standard: 5µm, Option: 40 µm	
Drain capacity	30 cm <sup>3</sup>	
Attachment	Pressure gauge (PG-40), L-type bracket	
Weight	445g	

\* Standard unit contains semi-auto-drain function when operating pressure below 0.05 MPa.

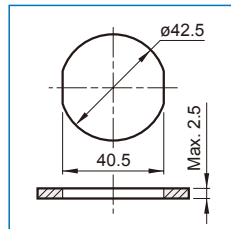
### Order example

MAFR300 - 8A - □ - □ - □ - □

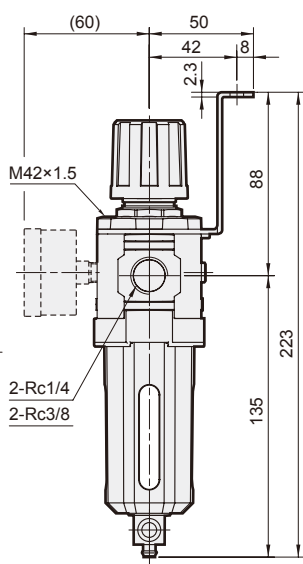
- MODEL
- PORT SIZE  
8A: 1/4  
10A: 3/8
- Blank: PC bowl  
N: Nylon bowl
- FILTER ELEMENT  
Blank: 5µm  
40u: 40µm
- BRACKET  
Blank: L type  
B3: Z type

PORT THREAD  
Blank: Rc thread  
G: G thread  
NPT: NPT thread

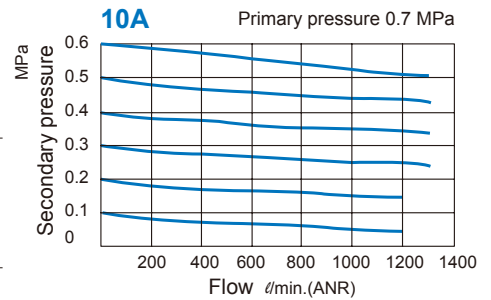
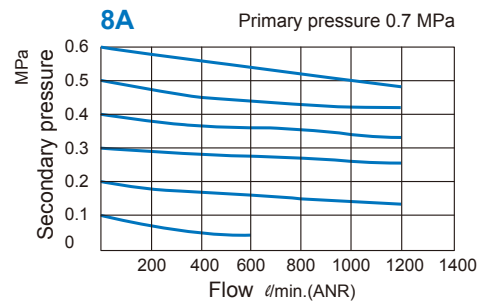
### Panel mounting hole



### Z type bracket



### Flow feature



### L type bracket

