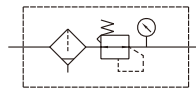


MAFR400 series

AIR UNIT (F.R.UNIT)



Symbol



Specification

Model	MAFR400		
Bore No.	8A	10A	15A
Port size	1/4	3/8	1/2
Medium	Air		
Operating pressure range (*)	0.05~1 MPa		
Proof pressure	1.5 MPa		
Regulated pressure range	0.05~0.85 MPa		
Ambient temperature	- 5~+60°C (No freezing)		
Filter element	Standard: 40μm, Option: 5μm		
Drain capacity	100 cm ³		
Attachment	Pressure gauge (PG-50), bracket		
Weight	1350 g		

* Standard unit contains semi-auto drain function when operating pressure below 0.05 MPa.

* Choose auto-drain FMRF300, the pressure range is 0.15~1 MPa.

Order example

MAFR400 - 8A - □ - □ - □

MODEL

PORT SIZE

8A: 1/4
10A: 3/8
15A: 1/2

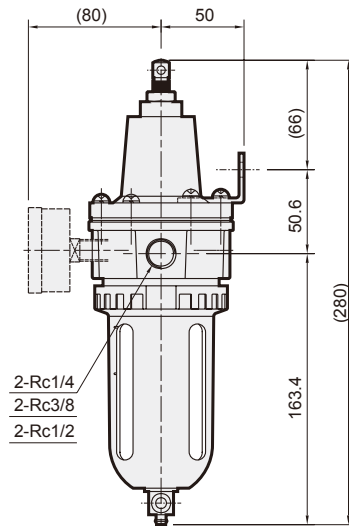
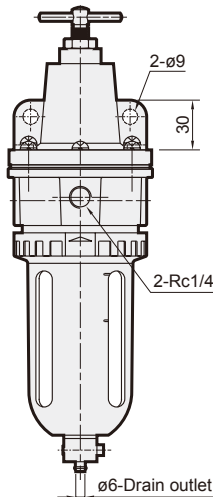
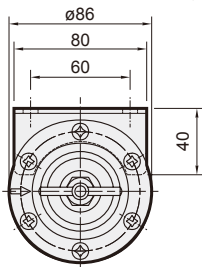
FILTER ELEMENT

Blank: 40μm
5u: 5μm

PORT THREAD

Blank: PC bowl + Semi-auto drain
D: Auto drain valve (FMRF300)
N: Nylon bowl

Blank: Rc thread
G: G thread
NPT: NPT thread



Flow feature

