

# MAFR401 series

AIR UNIT (F.R.UNIT)



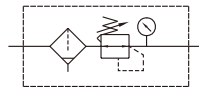
## Specification

Model	MAFR401		
Bore No.	8A	10A	15A
Port size	1/4	3/8	1/2
Medium	Air		
Operating pressure range (*)	0.05~1.5 MPa		
Proof pressure	2 MPa		
Regulated pressure range	Standard type: 0.1~0.85 MPa		
	High pressure type: 0.1~1.5 MPa		
Ambient temperature	- 5~+60°C (No freezing)		
Filter element	Standard: 40μm, Option: 5μm		
Drain capacity	70 cm <sup>3</sup>		
Attachment	Pressure gauge(PG-20),L-type bracket		
Weight	800 g		



Option: **MP41**

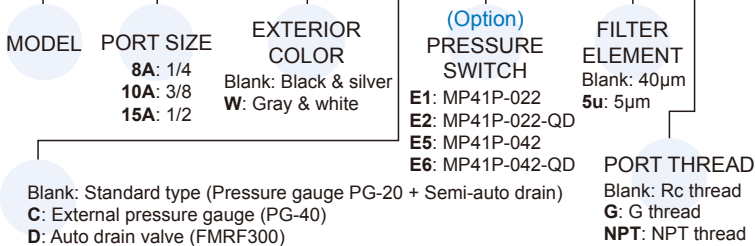
## Symbol



\* Standard unit contains semi-auto-drain function when operating pressure below 0.05 MPa.  
 \* Choose auto-drain FMRF300, the pressure range is 0.15~1 MPa.

## Order example

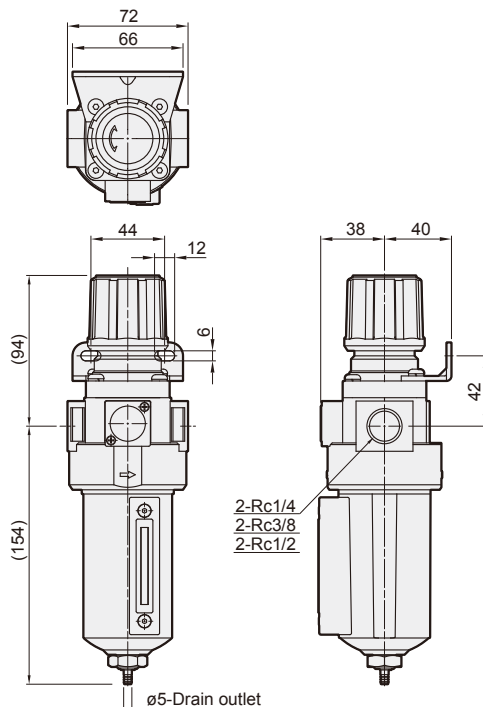
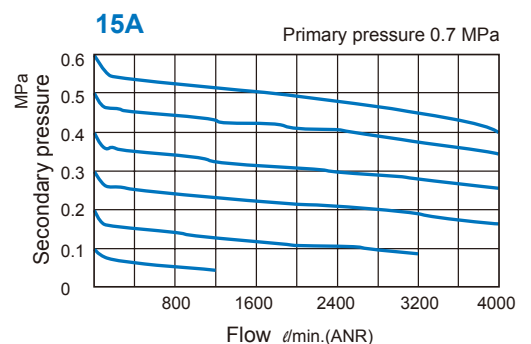
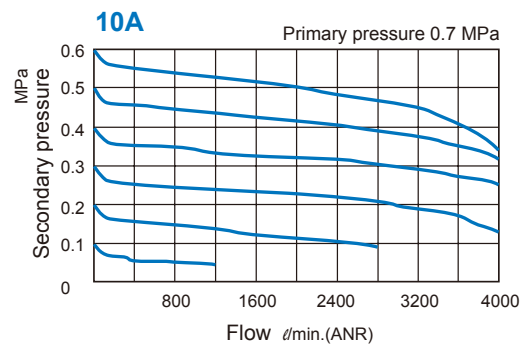
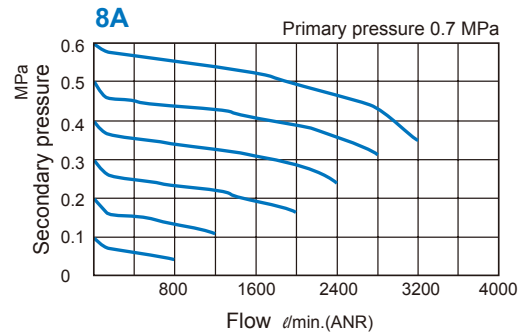
**MAFR401 - 8A - [ ] - [ ] - E1 - [ ] - [ ]**



Blank: Standard type (Pressure gauge PG-20 + Semi-auto drain)  
 C: External pressure gauge (PG-40)  
 D: Auto drain valve (FMRF300)  
 CH: High pressure type + External pressure gauge (PG-40)  
 P: Pressure switch (MPS series)

\* High pressure type (CH) can not choose with auto drain valve (D) when operating pressure over than 1 MPa.  
 \* PG-40 (C) and MP41 (E\*) can not be selected at the same time.  
 \* Refer to page 5-11 for the option of digital pressure switch MP41 (E\*).

## Flow feature



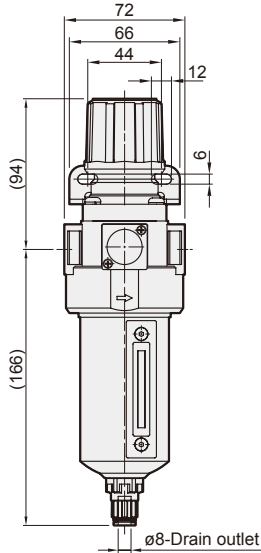
# MAFR401/MAFR401-HT Dimensions



**AIR UNIT (F.R.UNIT)**

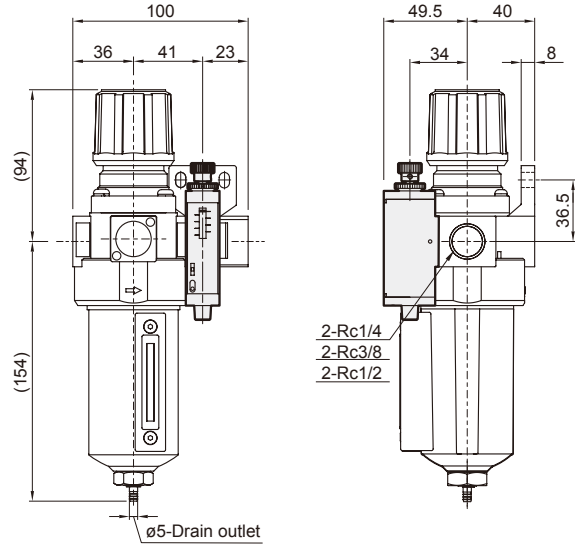
## MAFR401-D\*

Auto drain valve



## MAFR401-P

MPS Series  
pneumatic pressure switch



## MAFR401-HT

With shutoff valve (MVHT-400)



### Order example

**MAFR401 - 8A - □ - □ - E1 - □ - HT - □**

MODEL	PORT SIZE	EXTERIOR COLOR	(Option) PRESSURE SWITCH	FILTER ELEMENT	PORT THREAD
	8A: 1/4 10A: 3/8 15A: 1/2	Blank: Black& silver W: Gray& white	E1: MP41P-022 E2: MP41P-022-QD E5: MP41P-042 E6: MP41P-042-QD	Blank: 40µm 5u: 5µm	Blank: Rc thread G: G thread NPT: NPT thread

Blank: Standard type (Pressure gauge PG-20 + Semi-auto drain)  
C: External pressure gauge (PG-40)  
D: Auto drain valve (FMRF300)  
CH: High pressure type + External pressure gauge (PG-40)  
P: Pressure switch (MPS series)

SHUTOFF VALVE  
HT: MVHT-400-3H

- \* High pressure type (CH) can not choose with auto drain valve (D) when operating pressure over than 1 MPa.
- \* PG-40 (C) and MP41 (E\*) can not be selected at the same time.
- \* Refer to page 5-11 for the option of digital pressure switch MP41 (E\*).

