

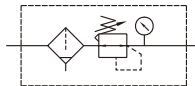
MAFR403 series

AIR UNIT (F.R.UNIT)



Option: **MP41**

Symbol



Specification

Model	MAFR403		
Bore No.	8A	10A	15A
Port size	1/4	3/8	1/2
Medium	Air		
Operating perssure range (*)	0.05~1 MPa		
Proof pressure	1.5 MPa		
Regulated pressure range	0.1~0.85 MPa		
Ambient temperature	- 5~+60°C (No freezing)		
Filter element	Standard: 40μm, Option: 5μm		
Drain capacity	75 cm ³		
Attachment	Pressure gauge(PG-20), L-type bracket		
Weight	620 g		

* Standard unit contains semi-auto-drain function when operating pressure below 0.05 MPa.

* Choose auto-drain FMRF300, the pressure range is 0.15~1 MPa.

Order example

MAFR403 - 8A - [] - E1 - [] - []

MODEL

PORT SIZE
8A: 1/4
10A: 3/8
15A: 1/2

FILTER ELEMENT
 Blank: 40μm
5u: 5μm

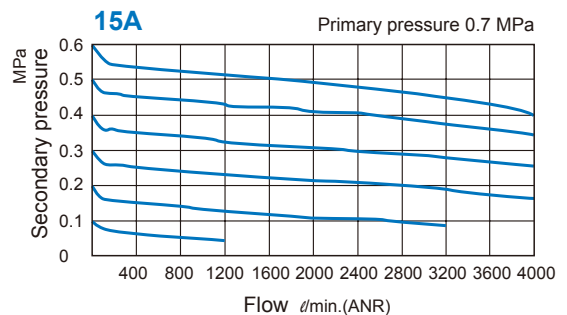
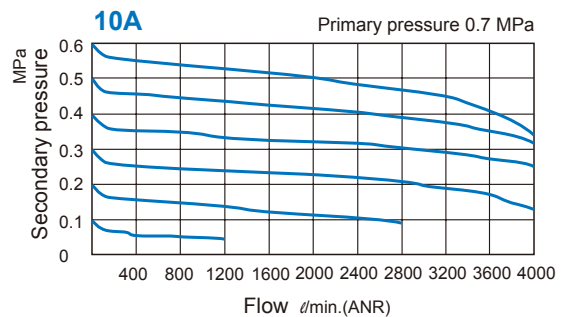
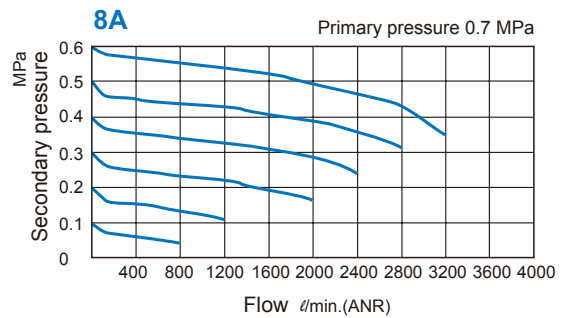
PORT THREAD
 Blank: Rc thread
G: G thread
NPT: NPT thread

Blank: Standard type
 (PC bowl + Semi-auto drain)
C: External pressure gauge (PG-40)
D: Auto drain valve (FMRF300)
N: Nylon bowl
P: Pressure switch (MPS series)

(Option)
PRESSURE SWITCH
E1: MP41P-022
E2: MP41P-022-QD
E5: MP41P-042
E6: MP41P-042-QD

* PG-40 (C) and MP41 (E*) can not be selected at the same time.
 * Refer to page 5-11 for the option of digital pressure switch MP41 (E*).

Flow feature



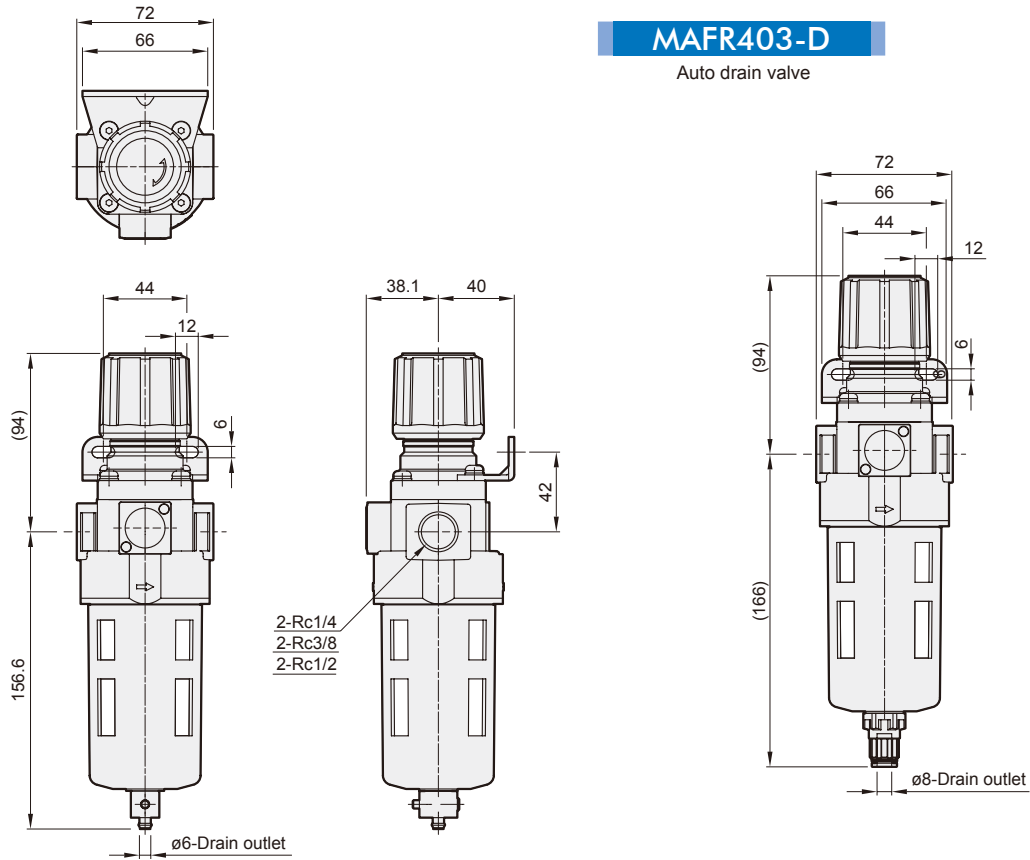
MAFR403 Dimensions

AIR UNIT (F.R.UNIT)



MAFR403-D

Auto drain valve



MAFR403-P

MPS Series
pneumatic pressure switch

