

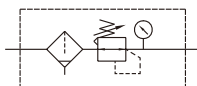
MAFR501 series

AIR UNIT (F.R.UNIT)



Option: MP41

Symbol



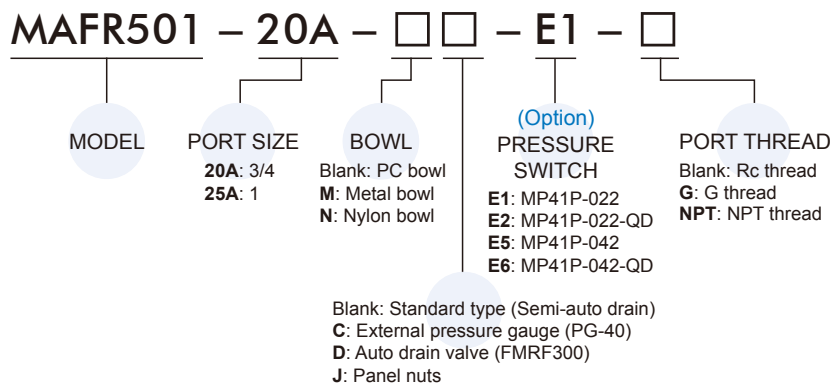
Specification

Model	MAFR501	
Components	MAFR501, MAL501	
Bore No.	20A	25A
Port size	3/4	1
Medium	Air	
Operating pressure range (*)	0.05~1 MPa	
Proof pressure	1.5 MPa	
Regulated pressure range	0.1~0.85 MPa	
Ambient temperature	- 5~+60°C (No freezing)	
Filter element	40µm	
Drain capacity	PC, Nylon bowl: 75 cm ³	
	Metal bowl: 70 cm ³	
Attachment	Pressure gauge(PG-20), L-type bracket	
Weight	PC, Nylon bowl: 1940 g	
	Metal bowl: 2060 g	

* Standard unit contains semi-auto drain function when operating pressure below 0.05 MPa.

* Choose auto-drain FMRF300, the pressure range is 0.15~1 MPa.

Order example

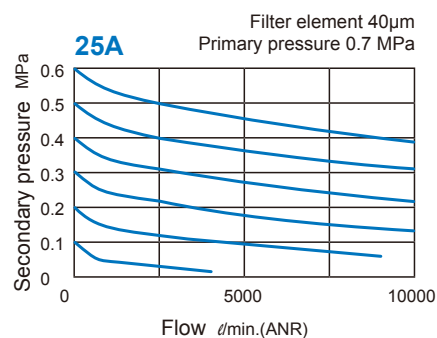
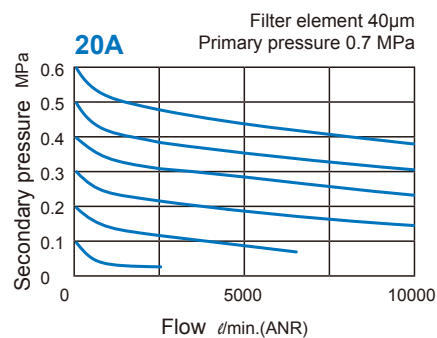


* Metal bowl (M) and nylon bowl (N) can not be selected at the same time.

* PG-40 (C) and MP41 (E*) can not be selected at the same time.

* Refer to page 5-11 for the option of digital pressure switch MP41 (E*).

Flow feature

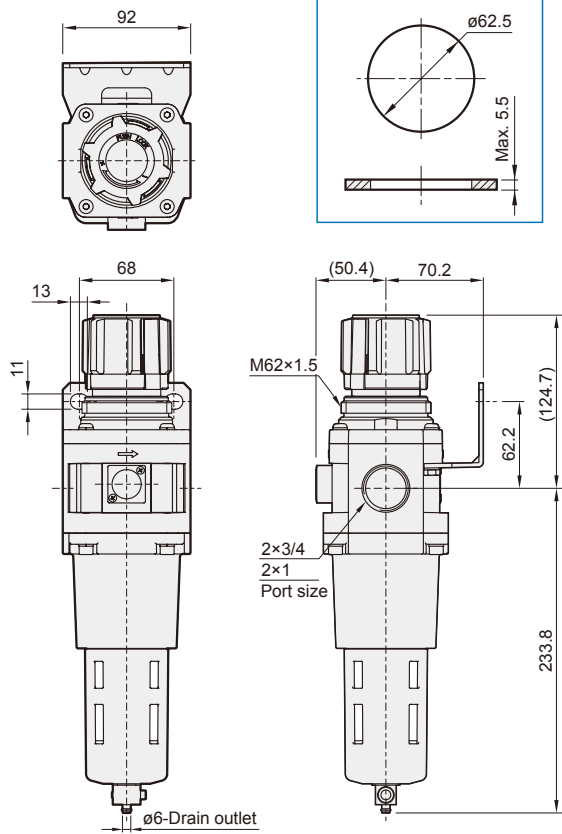


MAFR501 Dimensions

AIR UNIT (F.R.UNIT)

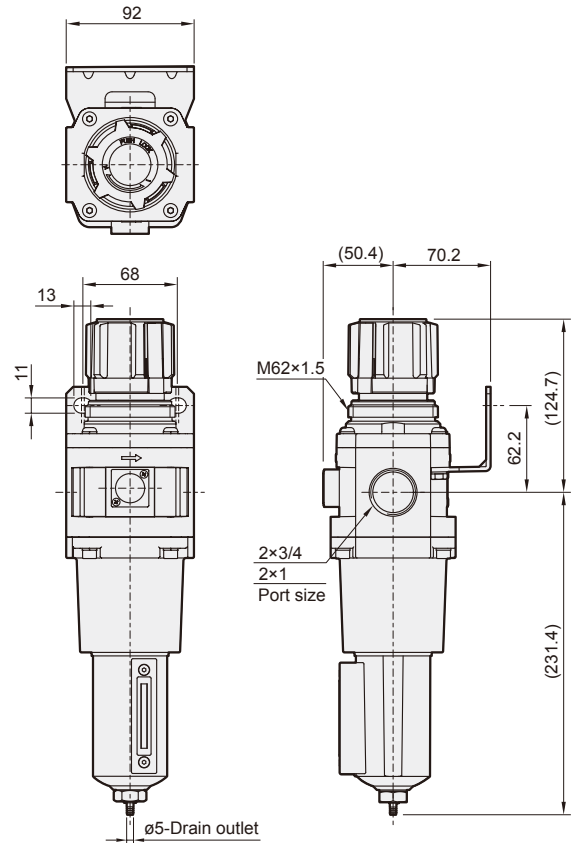


Panel mounting hole



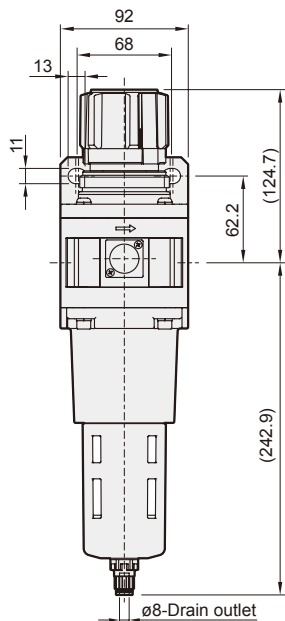
MAFR501-M

Metal bowl



MAFR501-D

Auto drain valve



MAFR501-MD

Metal bowl + auto drain valve

