

MVHB-260 series

HAND LEVER VALVE



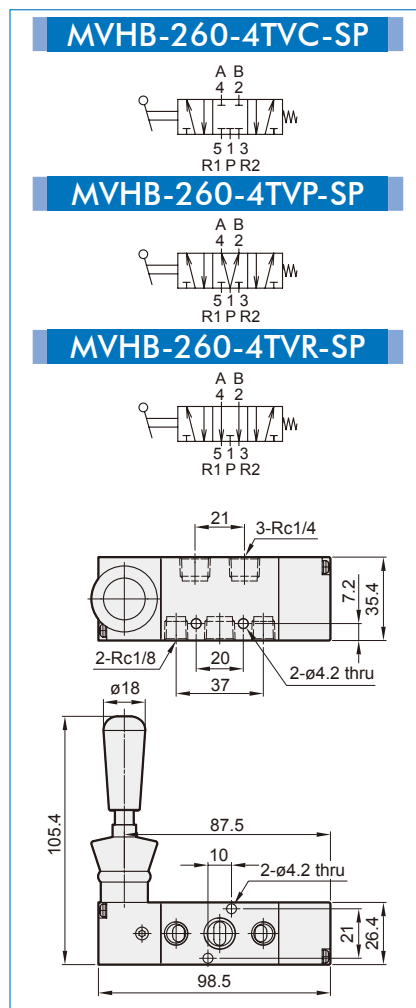
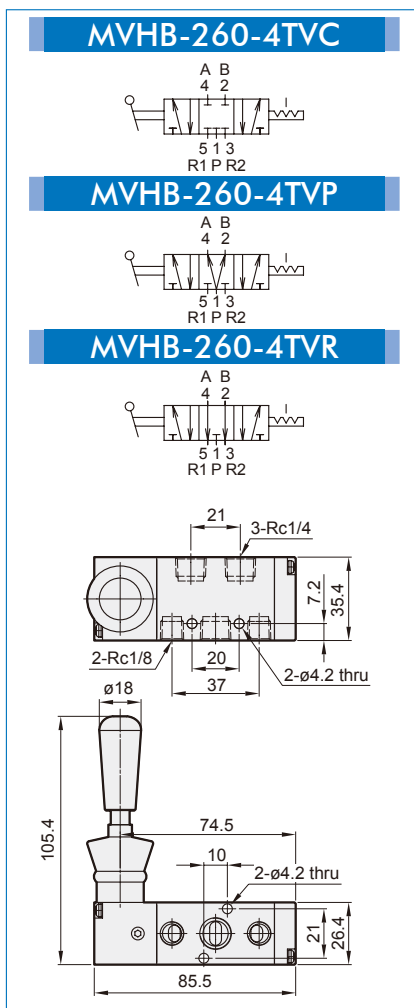
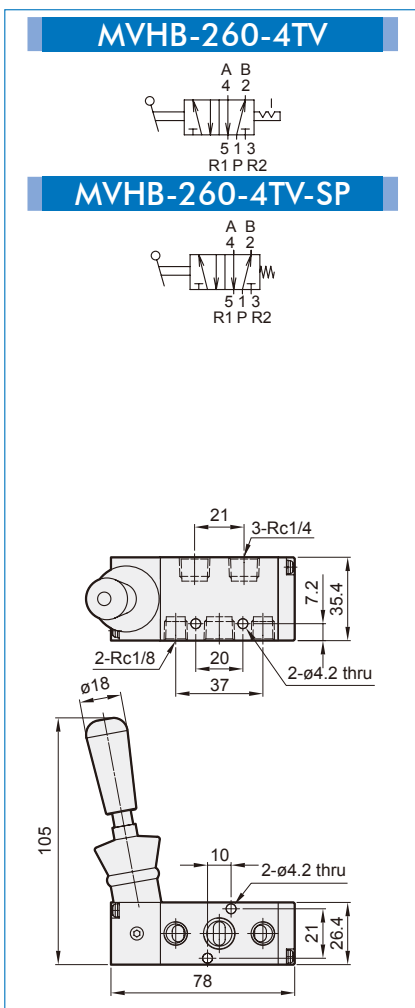
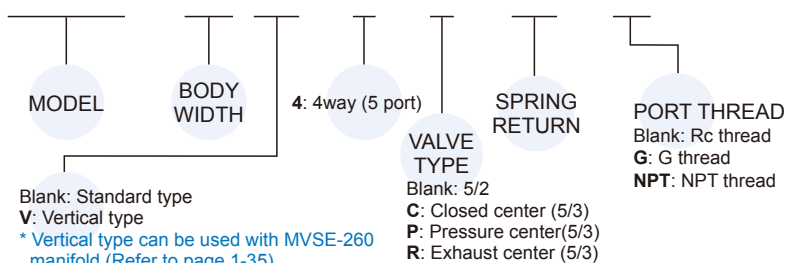
Specification



Model	MVHB-260(V)-4TV MVHB-260(V)-4TV-SP	MVHB-260(V)-4TV* MVHB-260(V)-4TV*-SP
Bore No.	8A	
Port size	Rc1/4	
No. of port	5	
No. of position	2	3
Medium	Air	
Operating pressure range	0~0.8 MPa	
Effective orifice	18 mm ²	
Ambient temperature	-5~+60°C (No freezing)	
Weight	219 g	278 g

Order example

MVHB – 260V – 4TVC – SP – G

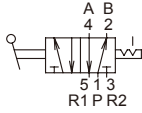


MVHB-260 Dimensions

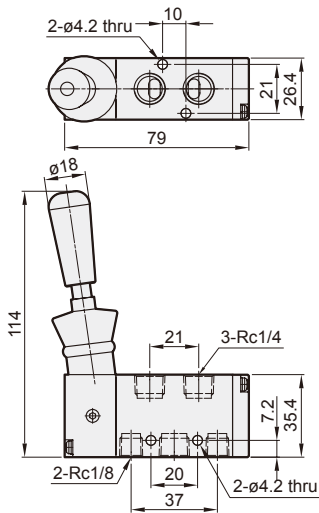
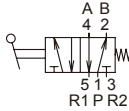
HAND LEVER VALVE



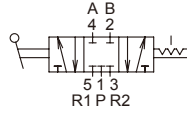
MVHB-260V-4TV



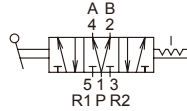
MVHB-260V-4TV-SP



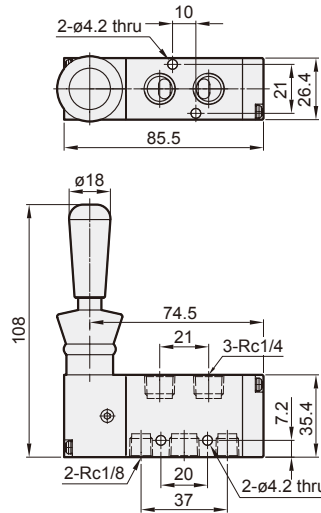
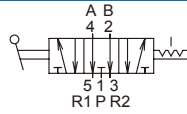
MVHB-260V-4TVC



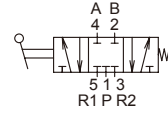
MVHB-260V-4TVP



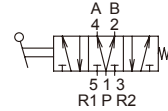
MVHB-260V-4TVR



MVHB-260V-4TVC-SP



MVHB-260V-4TVP-SP



MVHB-260V-4TVR-SP

