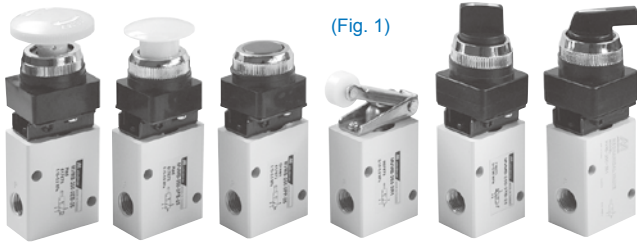


MVMB-250 series

MECHANICAL VALVE



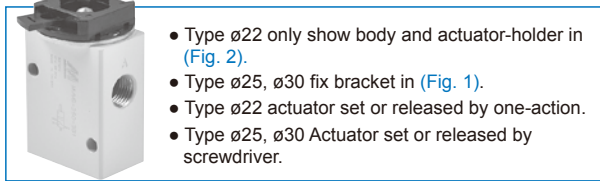
(Fig. 1)

Specification

Model	MVMB-250
Bore No.	8A
Port size	Rc1/4
No. of port	2 or 3
No. of position	2
Medium	Air
Operating pressure range	0~1 MPa
Proof pressure	1 MPa
Effective orifice	18 mm ²
Ambient temperature	-5~+60°C (No freezing)
Weight	193 g

Actuator-holder

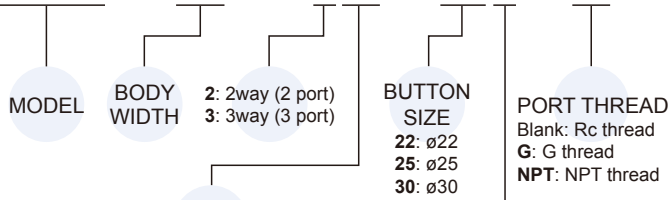
(Fig. 2)



- Type $\phi 22$ only show body and actuator-holder in (Fig. 2).
- Type $\phi 25$, $\phi 30$ fix bracket in (Fig. 1).
- Type $\phi 22$ actuator set or released by one-action.
- Type $\phi 25$, $\phi 30$ Actuator set or released by screwdriver.

Order example

MVMB - 250 - 3PB - 25B - G

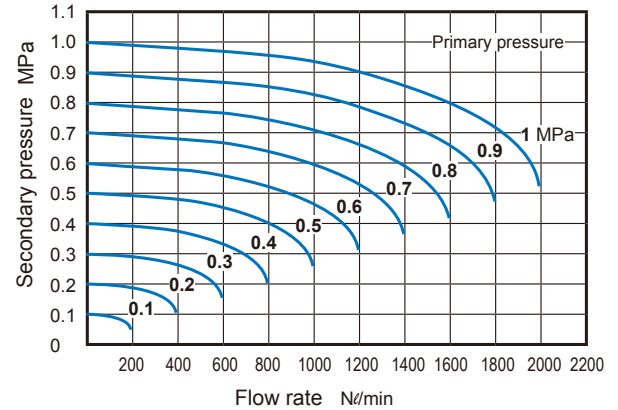


- B1:** Body (without button)
R1: Roller lever
EB: Latching palm button
LB: Extended twist button
TB: Twist button
PB: Mushroom palm button
PP: Push button

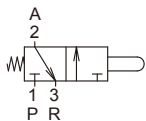
BUTTON COLOR

Color	Type
—	B1 type R1 type
G: Green	EB type
R: Red	LB type TB type
B: Black	PB type PP type
G: Green	
R: Red	

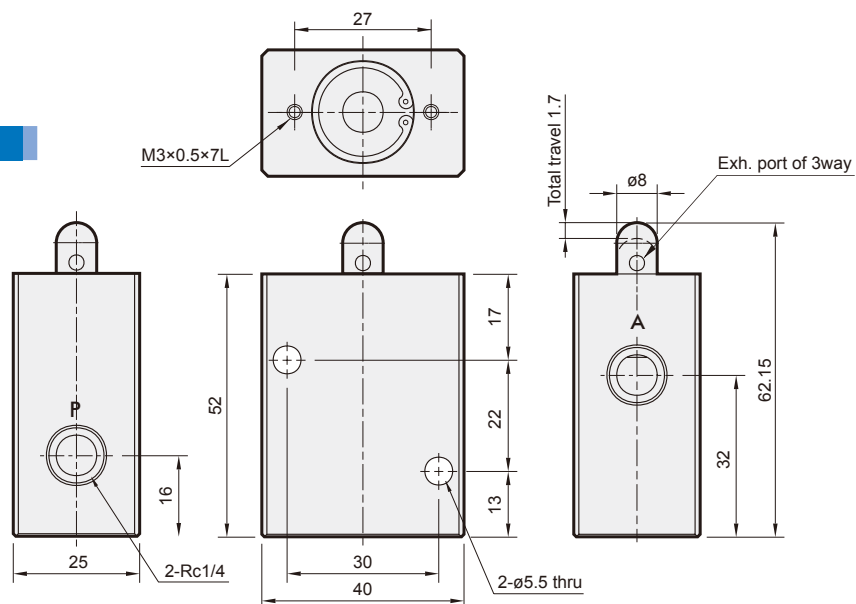
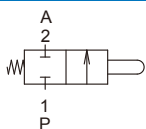
Flow features



MVMB-250-3B1



MVMB-250-2B1

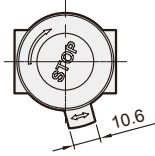
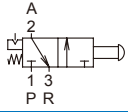


MVMB-250 Dimensions

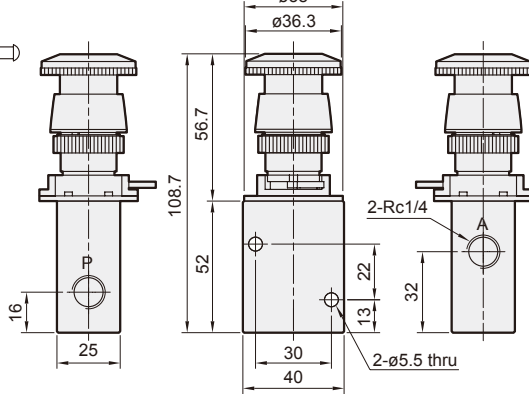
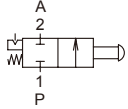
MECHANICAL VALVE



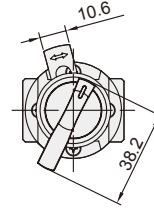
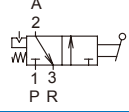
3EB-22



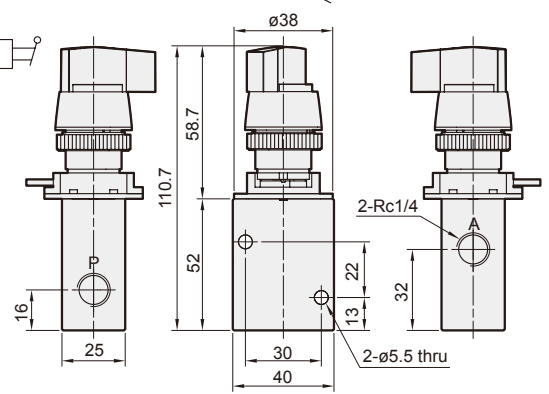
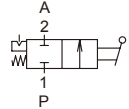
2EB-22



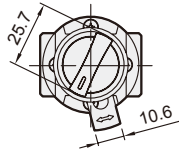
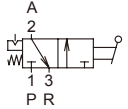
3LB-22



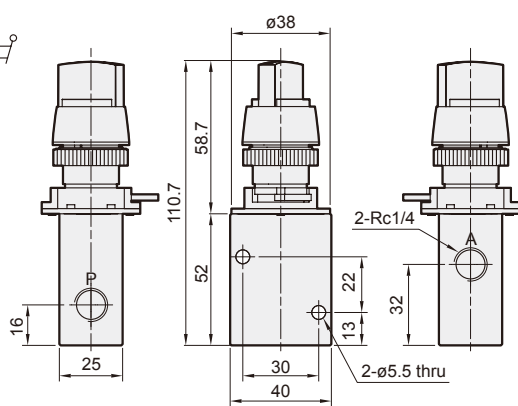
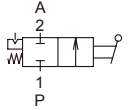
2LB-22



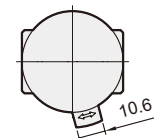
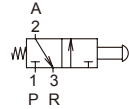
3TB-22



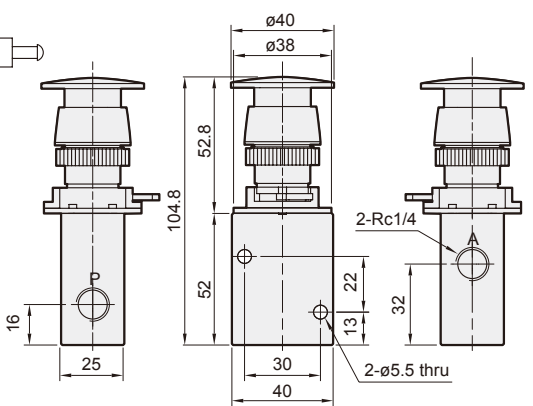
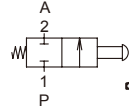
2TB-22



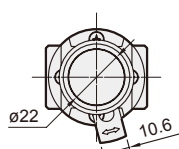
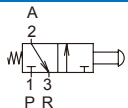
3PB-22



2PB-22



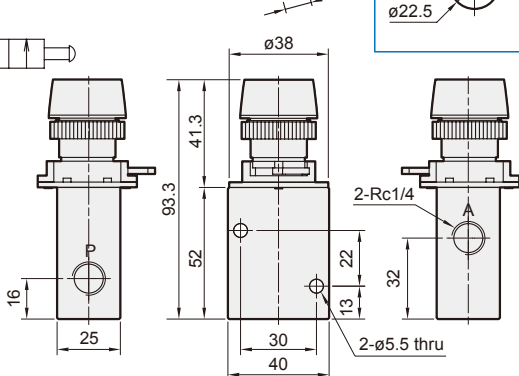
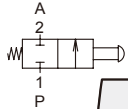
3PP-22



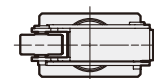
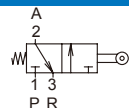
Panel mounting hole



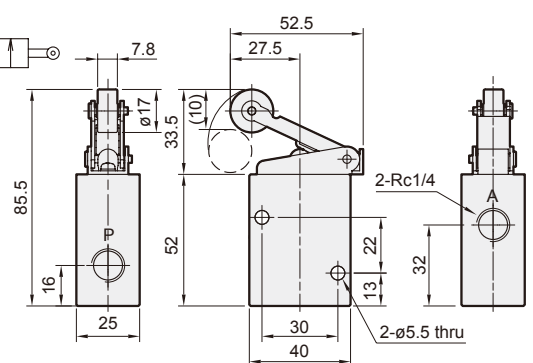
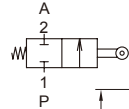
2PP-22



3R1



2R1

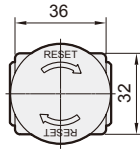
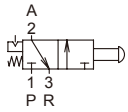


MVMB-250 Dimensions

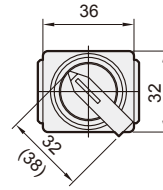
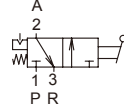
MECHANICAL VALVE



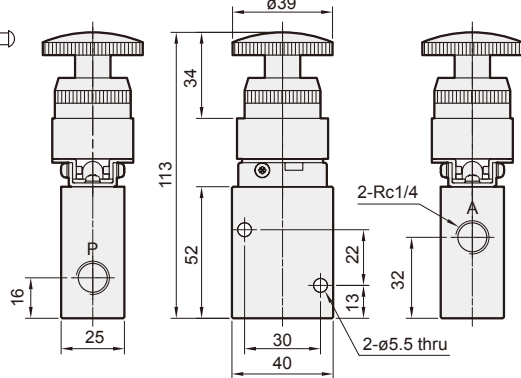
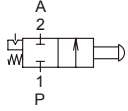
3EB-25/30



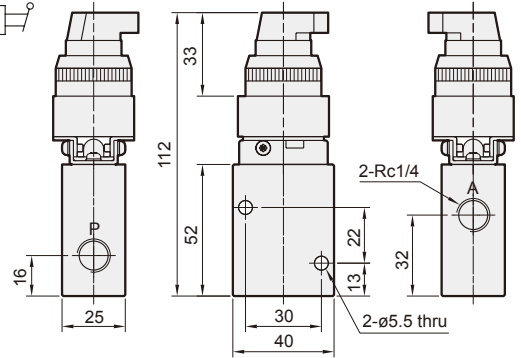
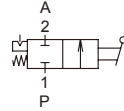
3LB-25/30



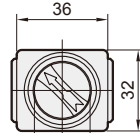
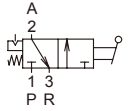
2EB-25/30



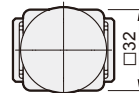
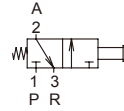
2LB-25/30



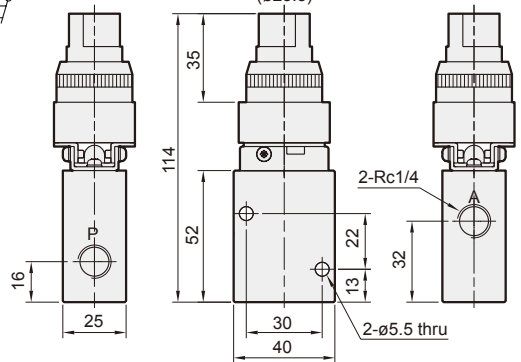
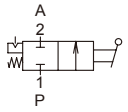
3TB-25/30



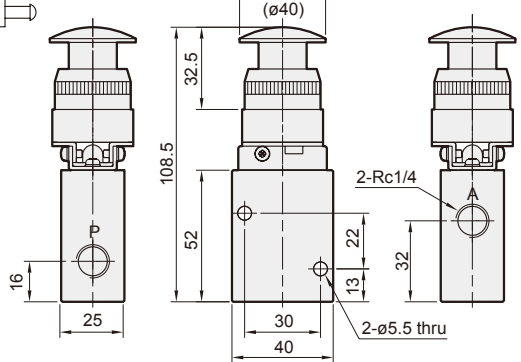
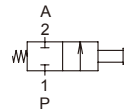
3PB-25/30



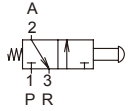
2TB-25/30



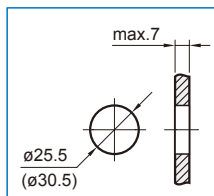
2PB-25/30



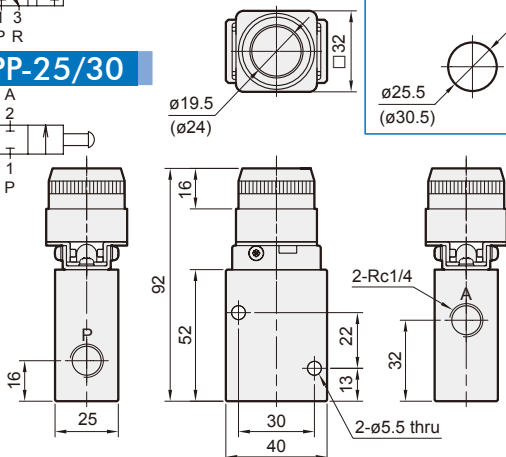
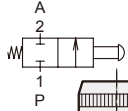
3PP-25/30



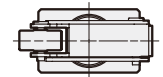
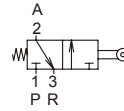
Panel mounting hole



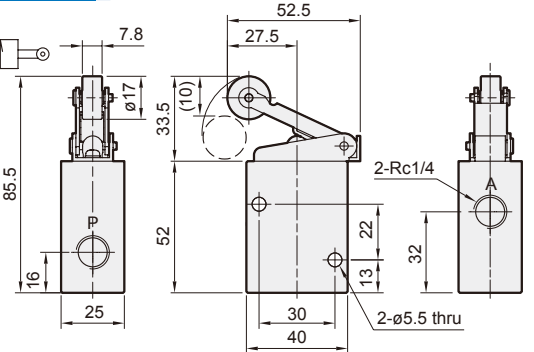
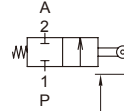
2PP-25/30



3R1



2R1



(): Dimension for button size ø30.